

Fitting data

Status 01.06.2022

Roller garage door RollMatic

Roller garage door RollMatic IR / AR

Roller garage door RollMatic T

Overhead Door RollMatic OD

Side door NT 60

Contents

Contents	Page
Roller Garage Door	
Size range roller garage door RollMatic	03
Fitting types for roller garage door RollMatic	04 - 06
Chamfered bottom profile roller garage door	07
Fixing points for roller garage door RollMatic	08 - 10
Fixed element	11
Connections for Control and Emergency Release	12
Roller garage door RollMatic T	
Size range roller garage door RollMatic T	13
Fitting types for roller garage door RollMatic T separated by FS 75 and FS 105	14 - 16
Fixing points for roller garage door RollMatic T separated by FS 75 and FS 105 including the drilling diameters for guide rails without fitting holes	17 - 19
Electrical Connections	20
Garage horizontal door RollMatic OD	
Size range RollMatic OD	21
Fitting types	22 - 24
Fixing points	25 - 27
Vertical track fastening and distance back	28
Side door NT 60 – profile type 4	
Side doors with corner frame made of aluminium profiles	29 - 31
Side doors with block frame made of aluminium profiles	32 - 36

Door leaf equipment and fittings as well as fitting examples can be found in this manual.

The door opening and garage floor must be finished before fitting the garage doors.

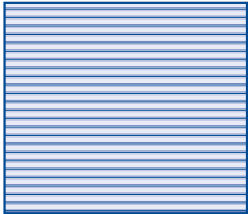
No part may be reproduced without our prior permission
All rights reserved
All dimensions in mm
Subject to design changes

Roller garage door RollMatic

Internal (IR) and external roller garage door (AR)

External views

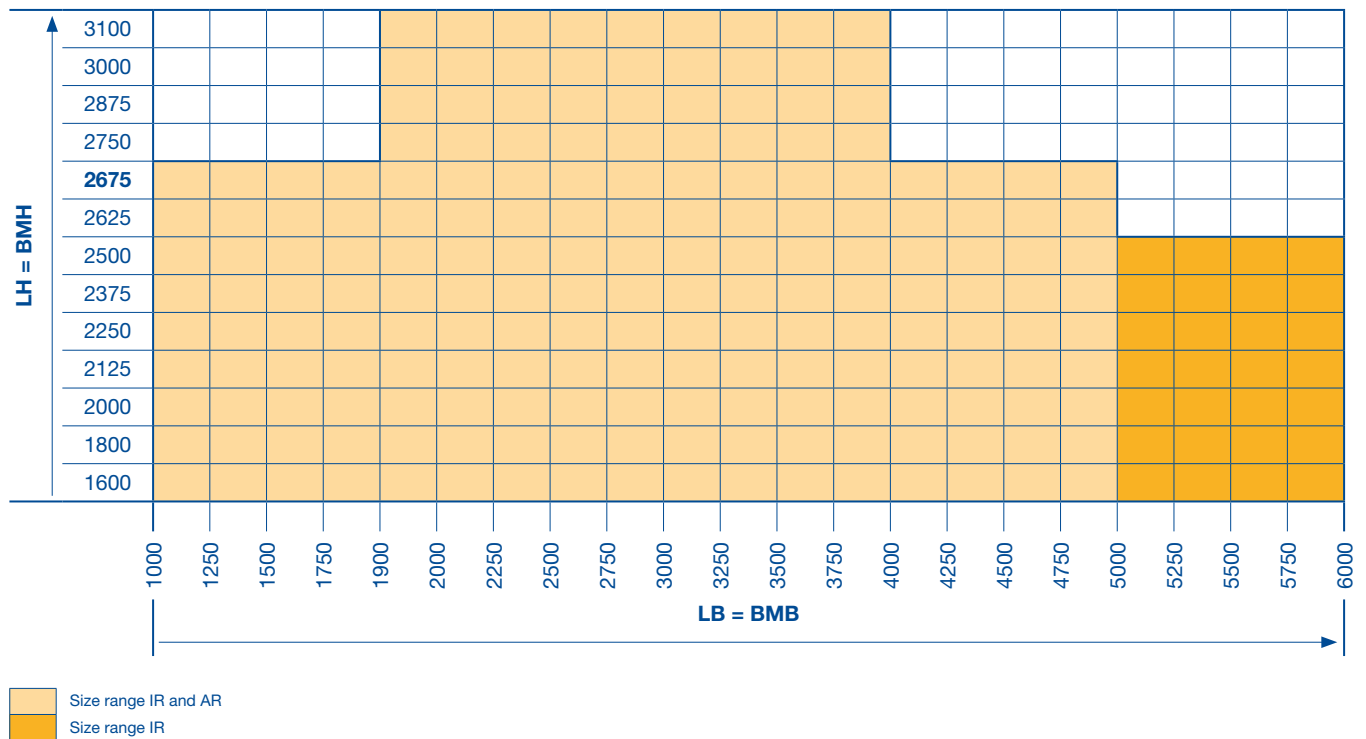
Door curtain



Notes:

Manually operated version only possible with internal roller garage door

Size range



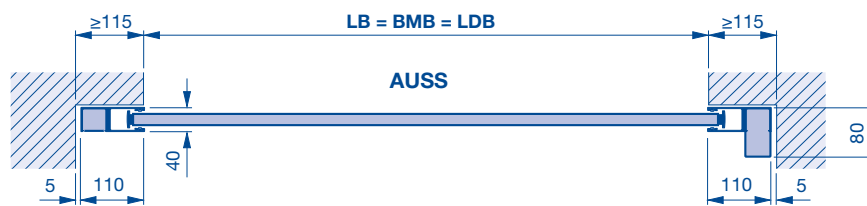
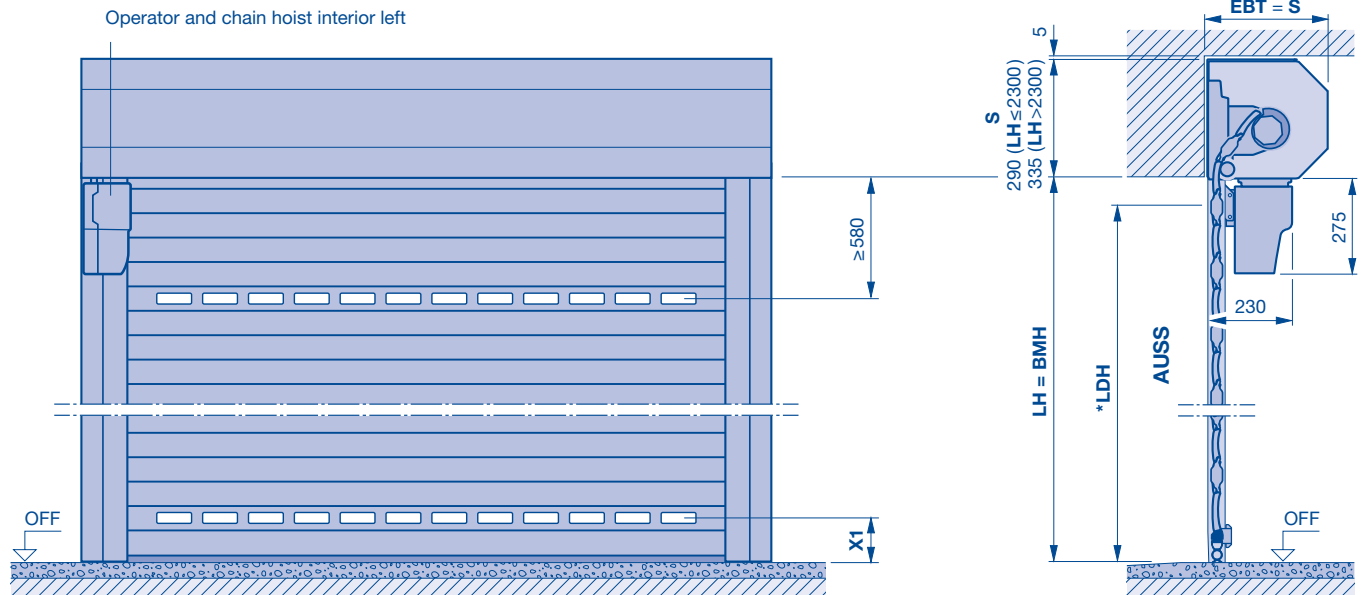
Size range IR and AR
Size range IR

BMB Ordering size width
BMH Ordering size height
LB Clear width
LH Clear height

Fitting types

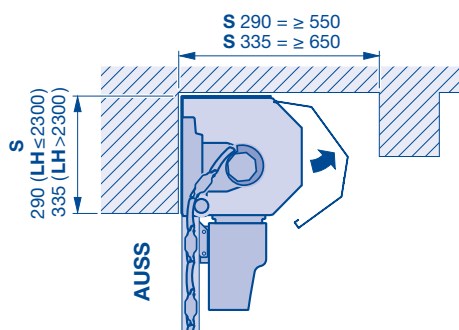
Roller garage door RollMatic, internal roller garage door

Fitting behind the opening

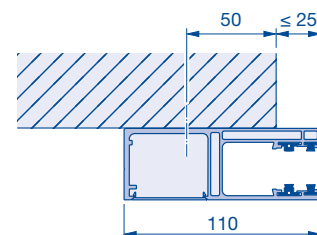


	Version with operator RollMatic	Manually operated version
* Clear passage height (LDH)	LH - 100	LH - 125

Fitting behind the lintel



Distance to guide rails



AUSS Exterior
BMB Ordering size width
BMH Ordering size height
EBT Fitting depth

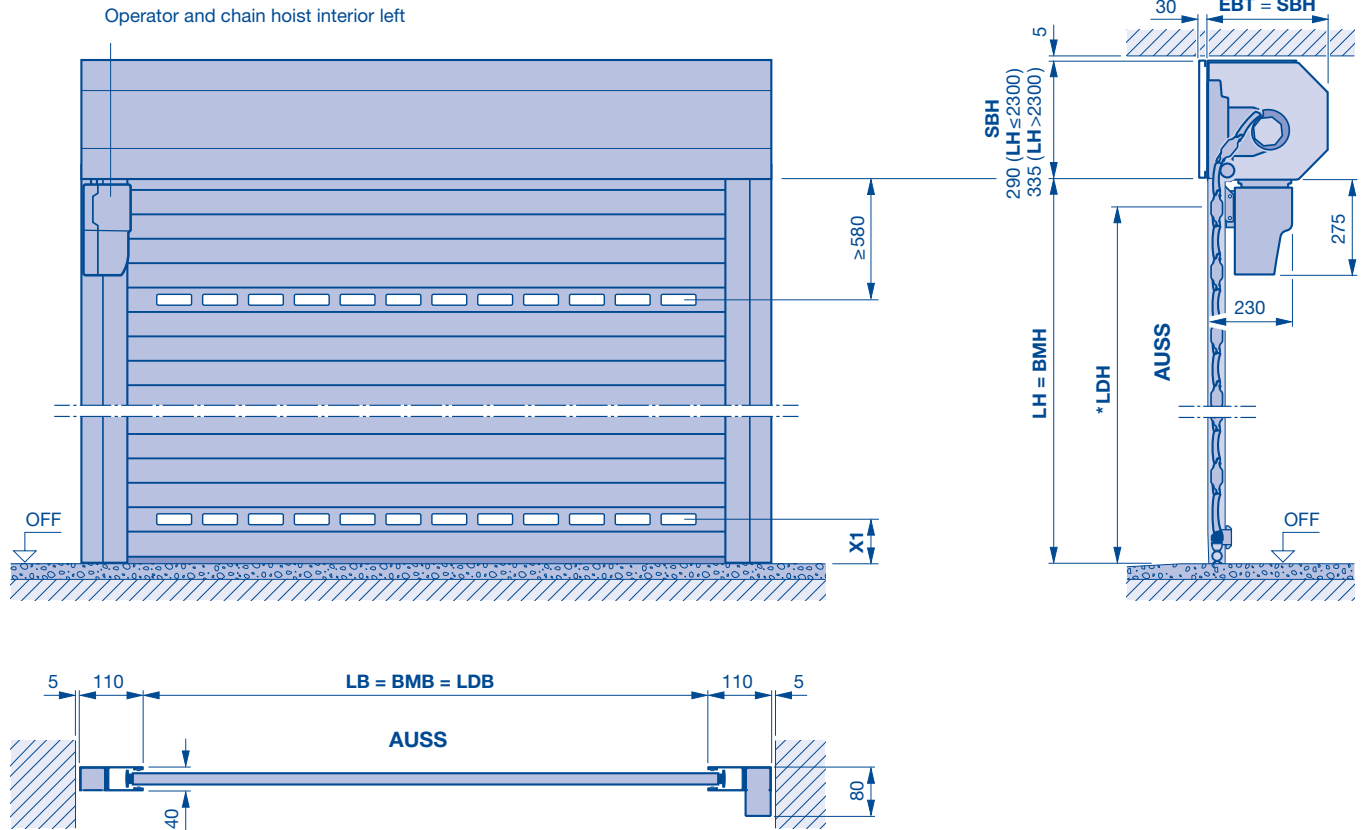
LB Clear width
LDB Clear passage width
LH Clear height
LDH Clear passage height

S Required headroom
X1 ≥ 150 mm (dimension without chamfered bottom profile)
OFF Finished floor level (FFL)

Fitting types

Roller garage door RollMatic, internal roller garage door

Fitting in the opening with additional fascia panel

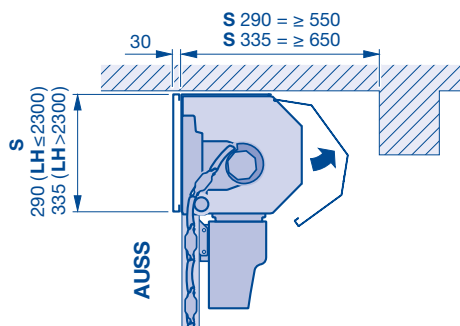


Notes:

Additional fascia panel required

	Version with operator RollMatic	Manually operated version
* Clear passage height (LDH)	LH - 100	LH - 125

Fitting behind the lintel

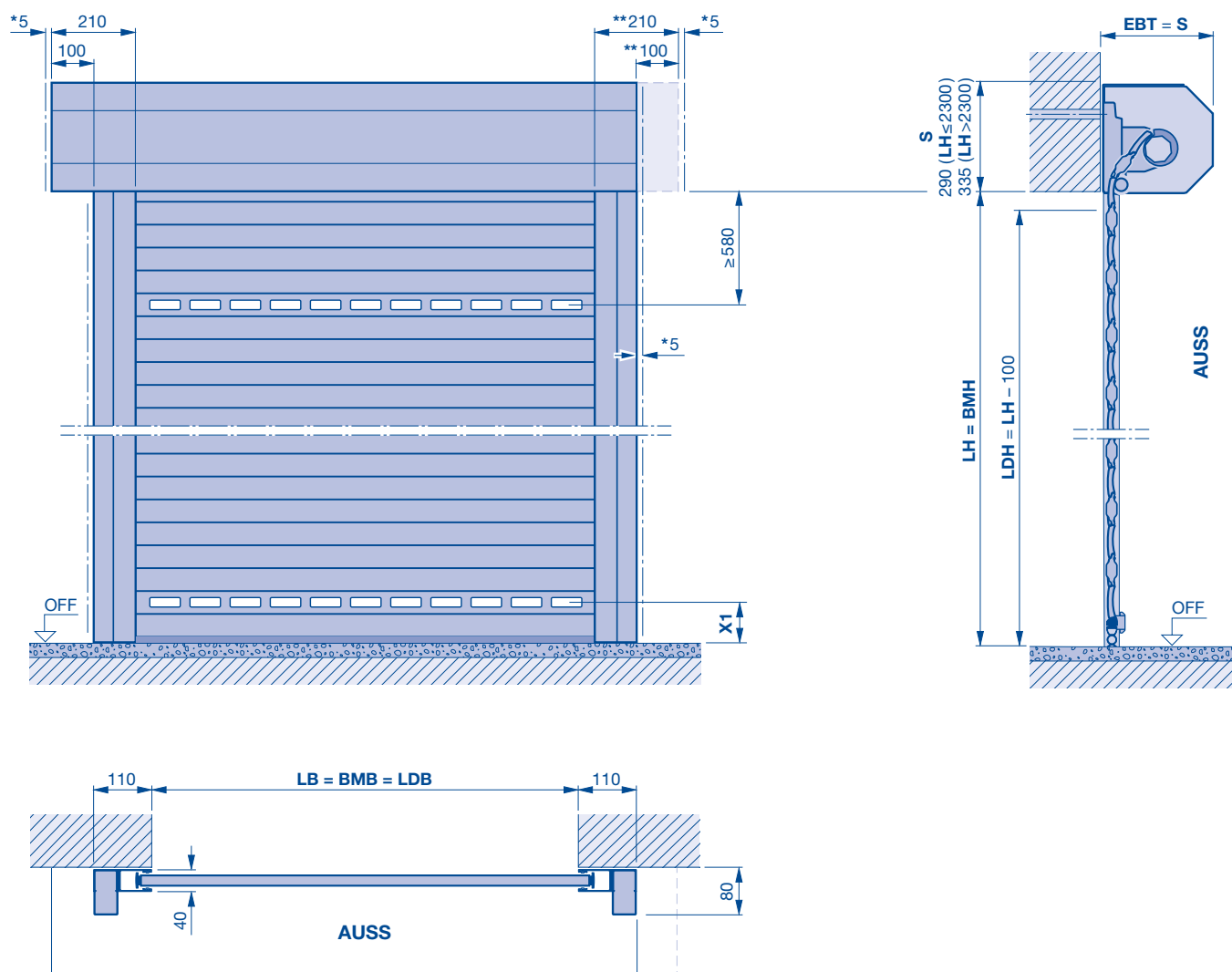


AUSS	Exterior	LB	Clear width	SBH	Additional fascia panel height
BMB	Ordering size width	LDB	Clear passage width	X1	≥ 150 mm (dimension without chamfered bottom profile)
BMH	Ordering size height	LH	Clear height	OFF	Finished floor level (FFL)
EBT	Fitting depth	LDH	Clear passage height		

Fitting types

Roller garage door RollMatic T, external roller garage door

Fitting in front of the opening



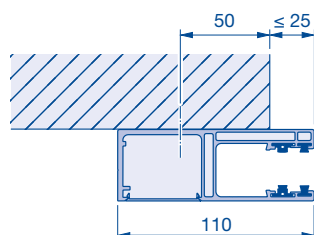
Notes:

Operator as standard on left when viewed from outside, optionally operator on right

* Distance from fascia panel / guide rail ≥ 5 mm

** For a visually balanced look the curtain cover can be ordered symmetrically!

Distance to guide rails



AUSS	Exterior
BMH	Ordering size width
BMH	Ordering size height
EBT	Fitting depth

LB	Clear width
LDB	Clear passage width
LH	Clear height
LDH	Clear passage height

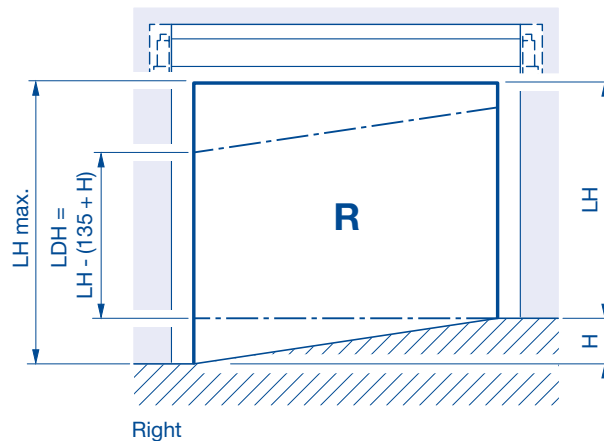
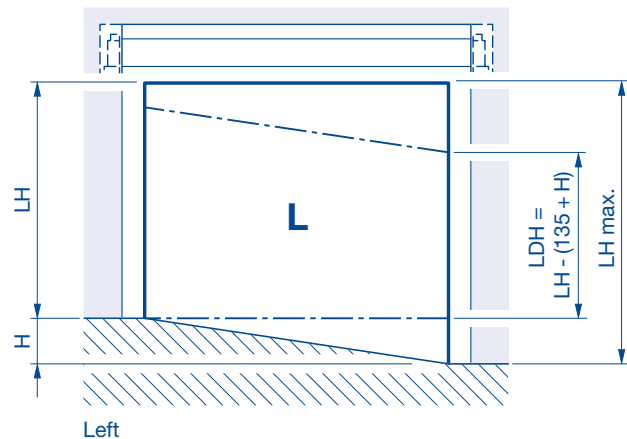
S	Required headroom
X1	≥ 150 mm (dimension without chamfered bottom profile)
OFF	Finished floor level (FFL)

Chamfered bottom profile

Roller garage door RollMatic

View of fitting side

- For internal roller garage door, from inside
- For external roller garage door, from outside



- LH = (Clear height on short side) = ordering size height (BMH)
Max. LH = 3100 mm
Min. LH = 1600 mm
H = Height difference \leq 300 mm

Notes:

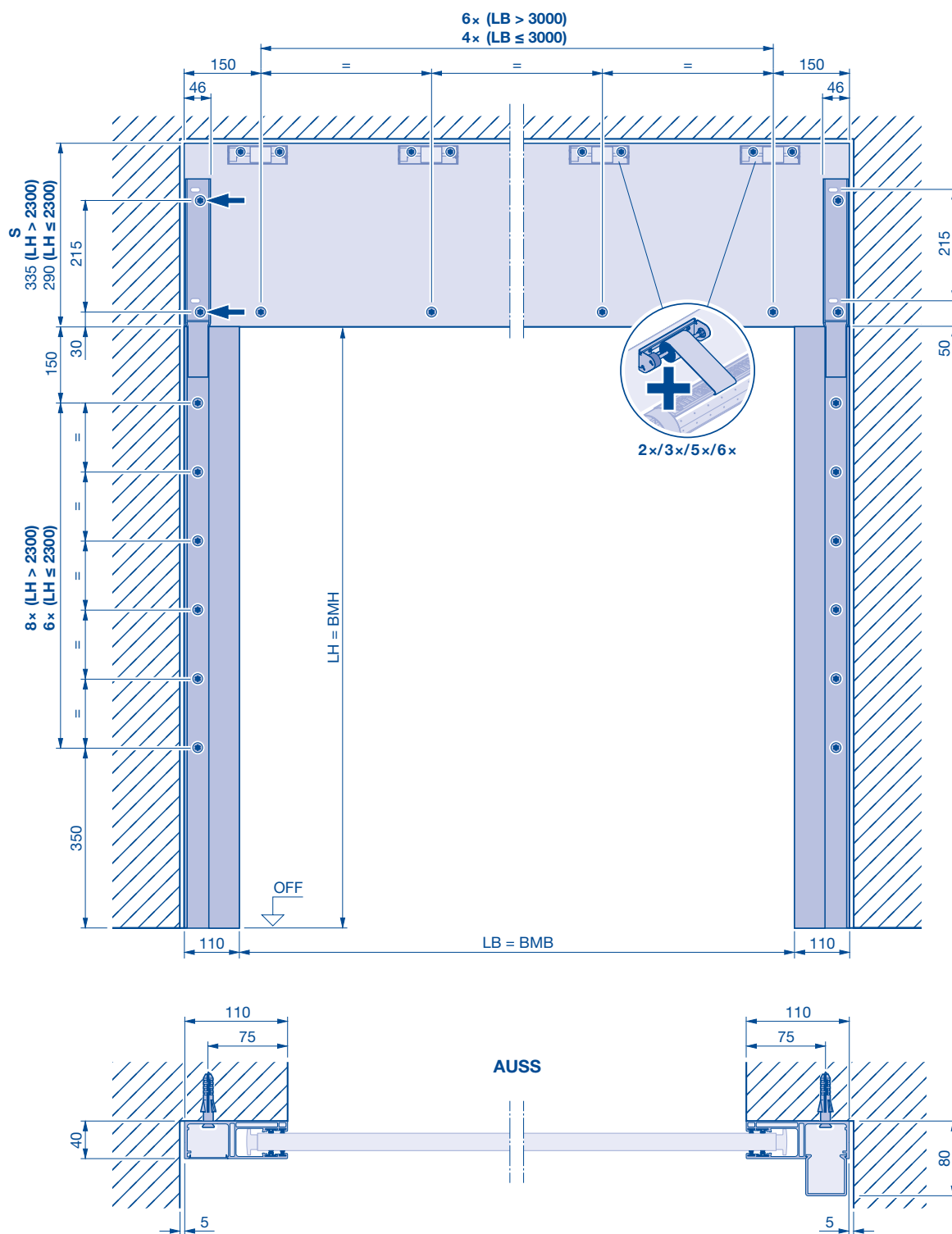
Chamfered bottom profile only for doors with operator

BMH	Ordering size height
H	Height difference
LH	Clear height
Max.	Maximum

Fixing Points Internal Roller Garage Door

Roller garage door RollMatic

Fitting behind the opening



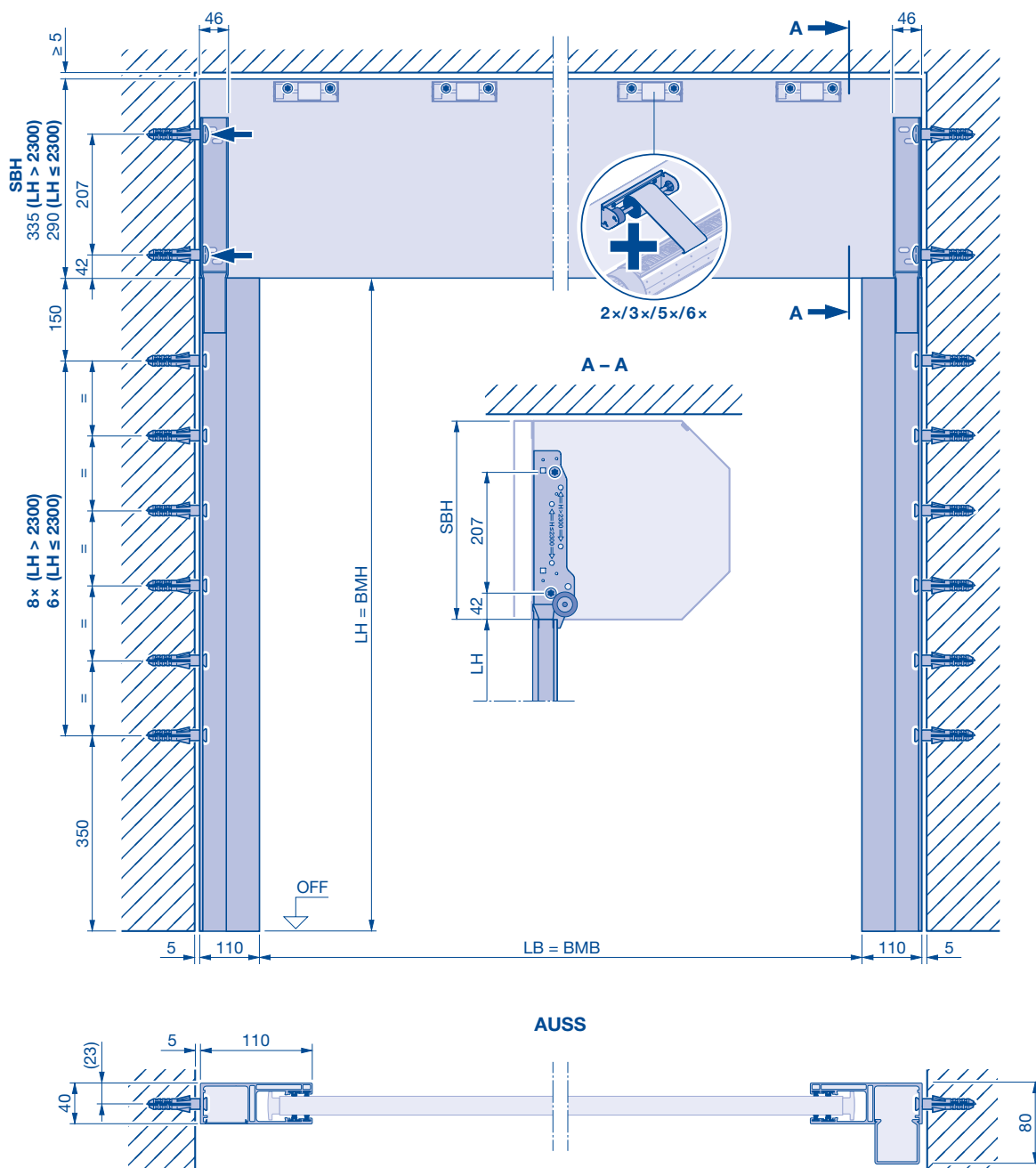
AUSS Exterior
BMB Ordering size width
BMH Ordering size height
LB Clear width

LH Clear height
S Required headroom
OFF Finished floor level (FFL)

Fixing Points Internal Roller Garage Door

Roller garage door RollMatic

Fitting in the opening with additional fascia panel



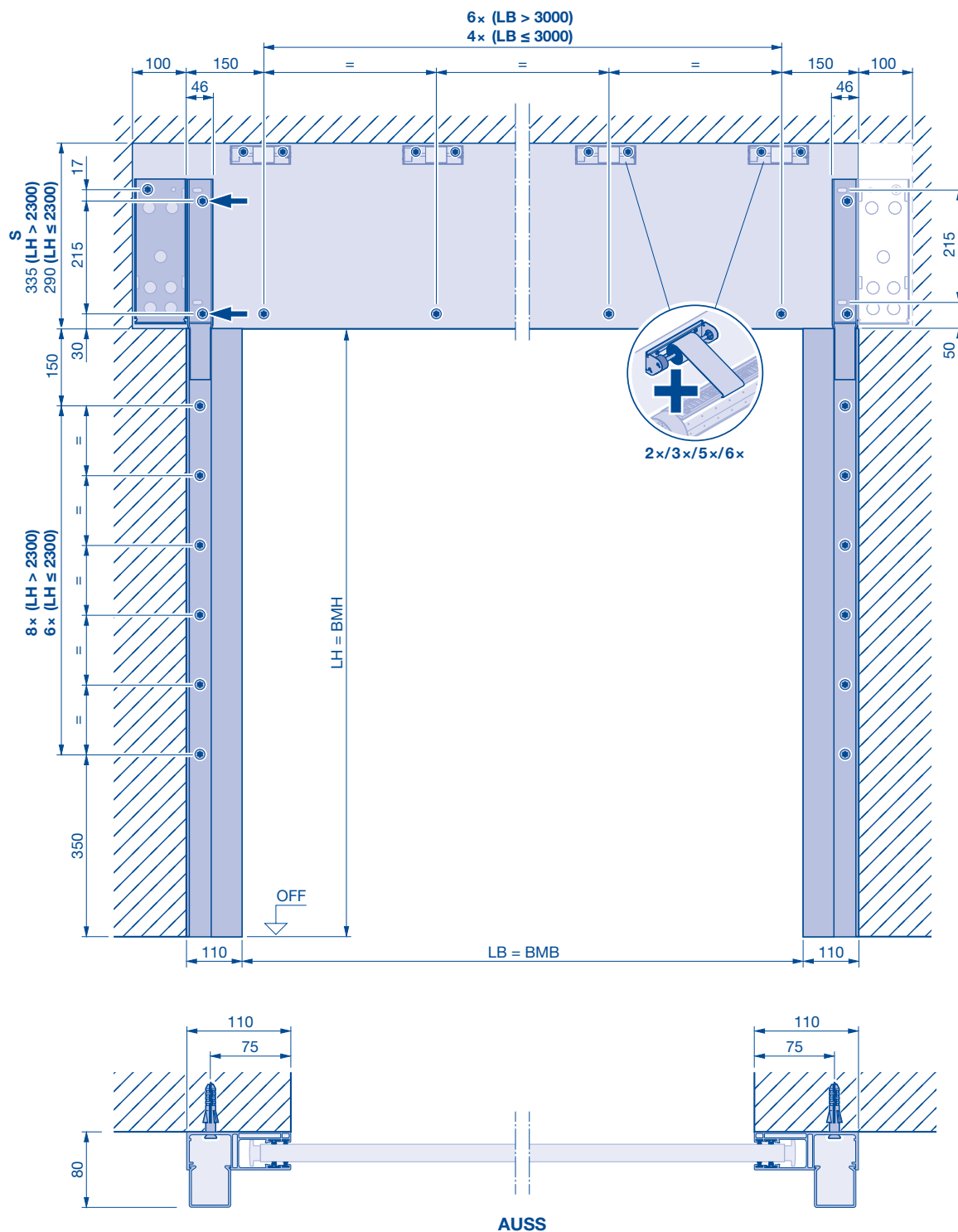
AUSS Exterior
BMB Ordering size width
BMH Ordering size height
LB Clear width

LH Clear height
SBH Additional fascia panel height
OFF Finished floor level (FFL)

Fixing Points External Roller Garage Door

Roller garage door RollMatic

Fitting in front of the opening



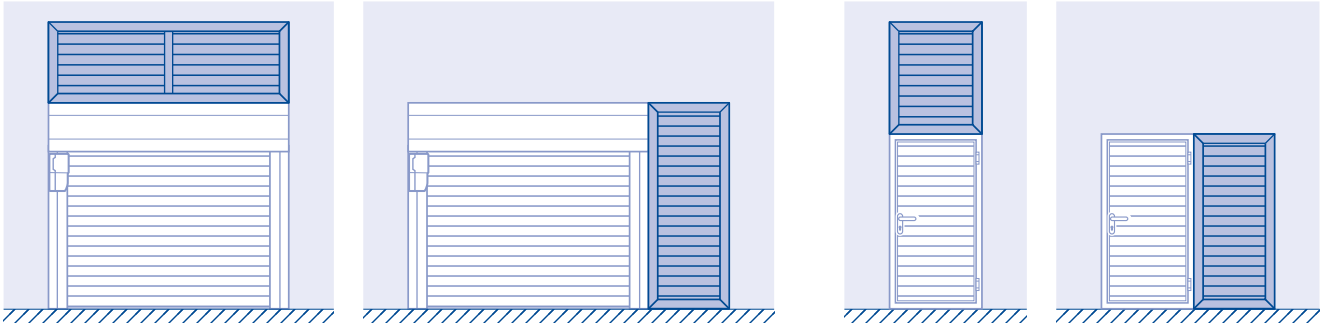
AUSS	Exterior
BMB	Ordering size width
BMH	Ordering size height
LB	Clear width

LH	Clear height
S	Required headroom
OFF	Finished floor level (FFL)

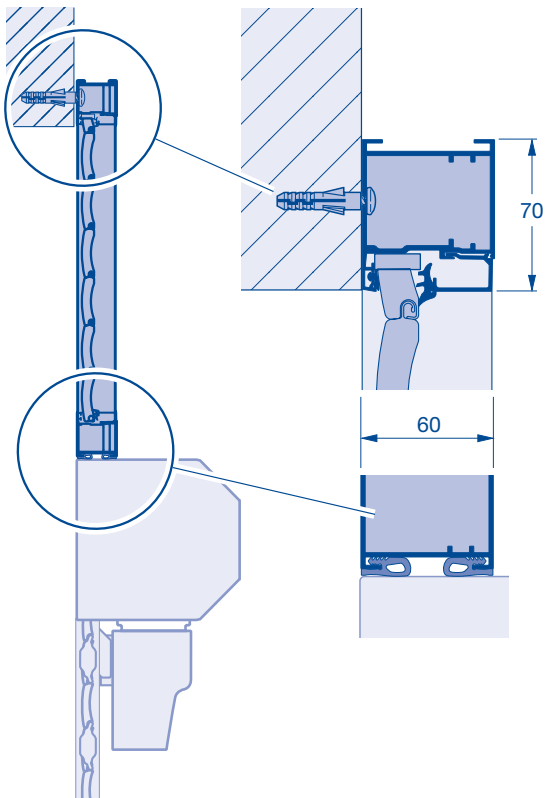
Fixed element

Roller garage door RollMatic

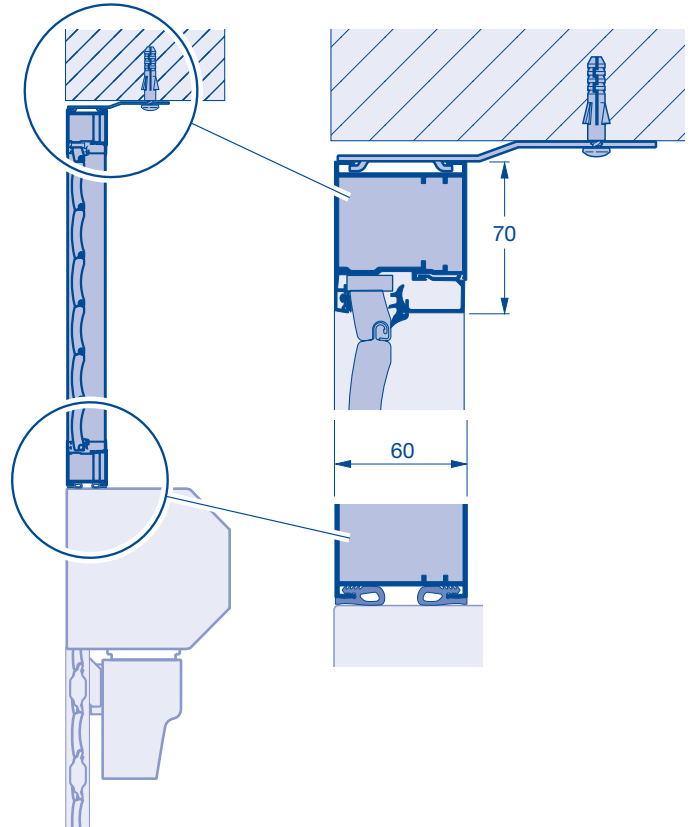
Fitting behind or in the opening



A

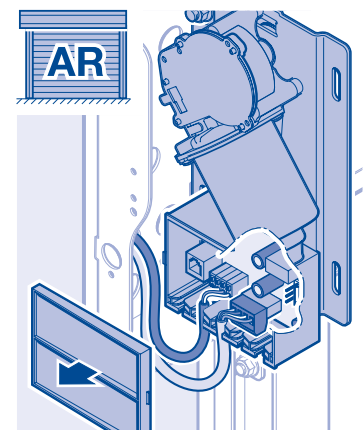
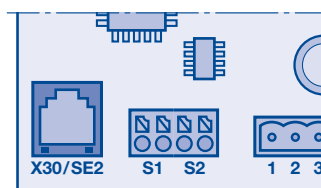
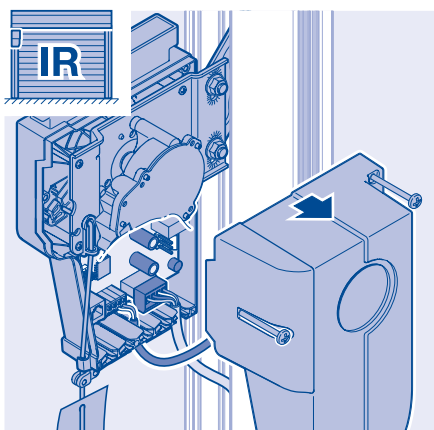
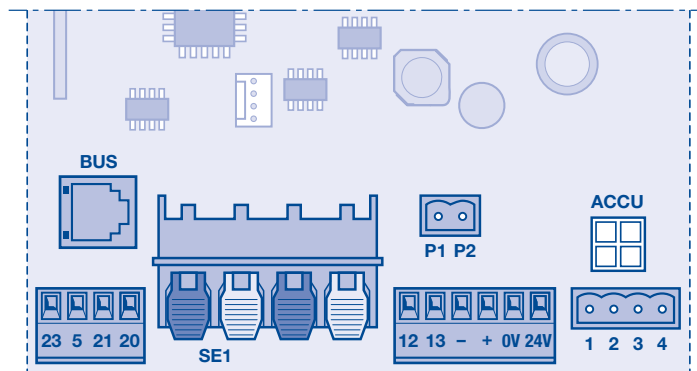
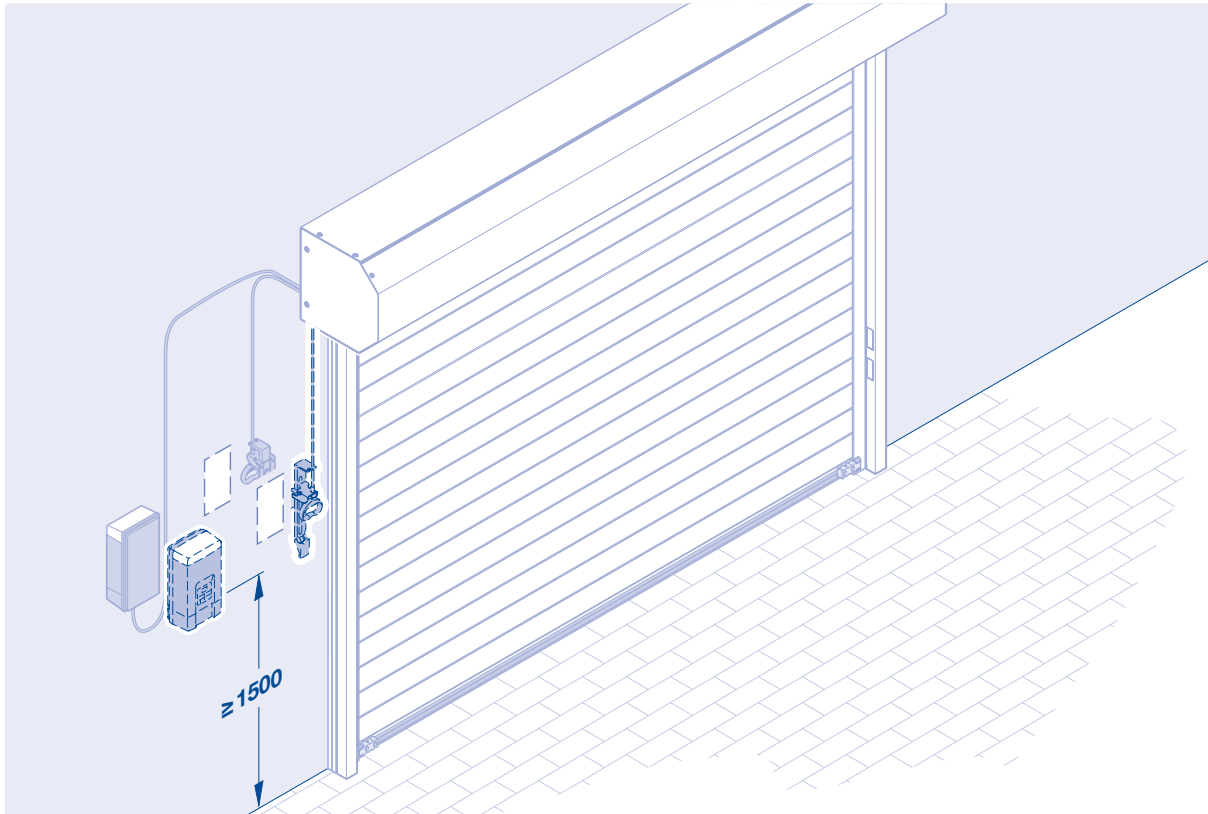


B



Connections for Control and Emergency Release

Roller garage door RollMatic

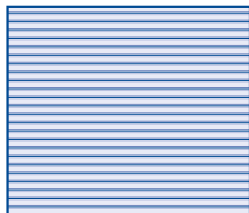


Roller garage door RollMatic T

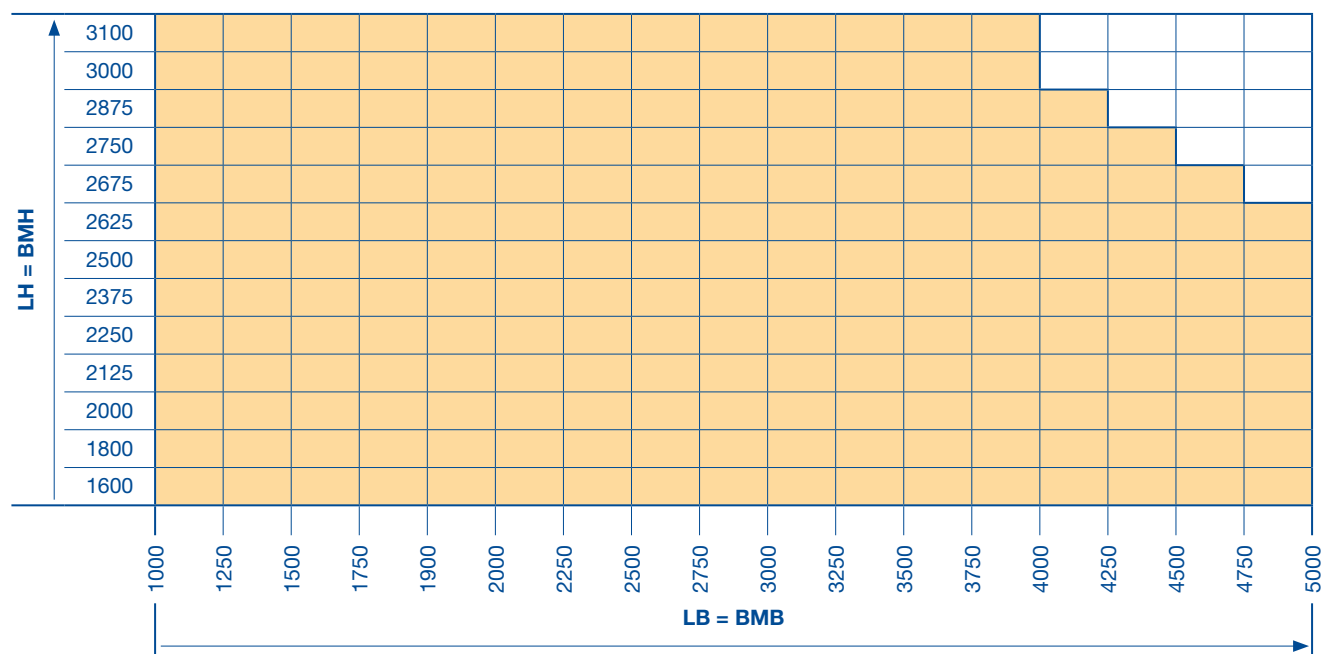
Internal (IR) and external roller garage door (AR)

External views

Door curtain



Size range



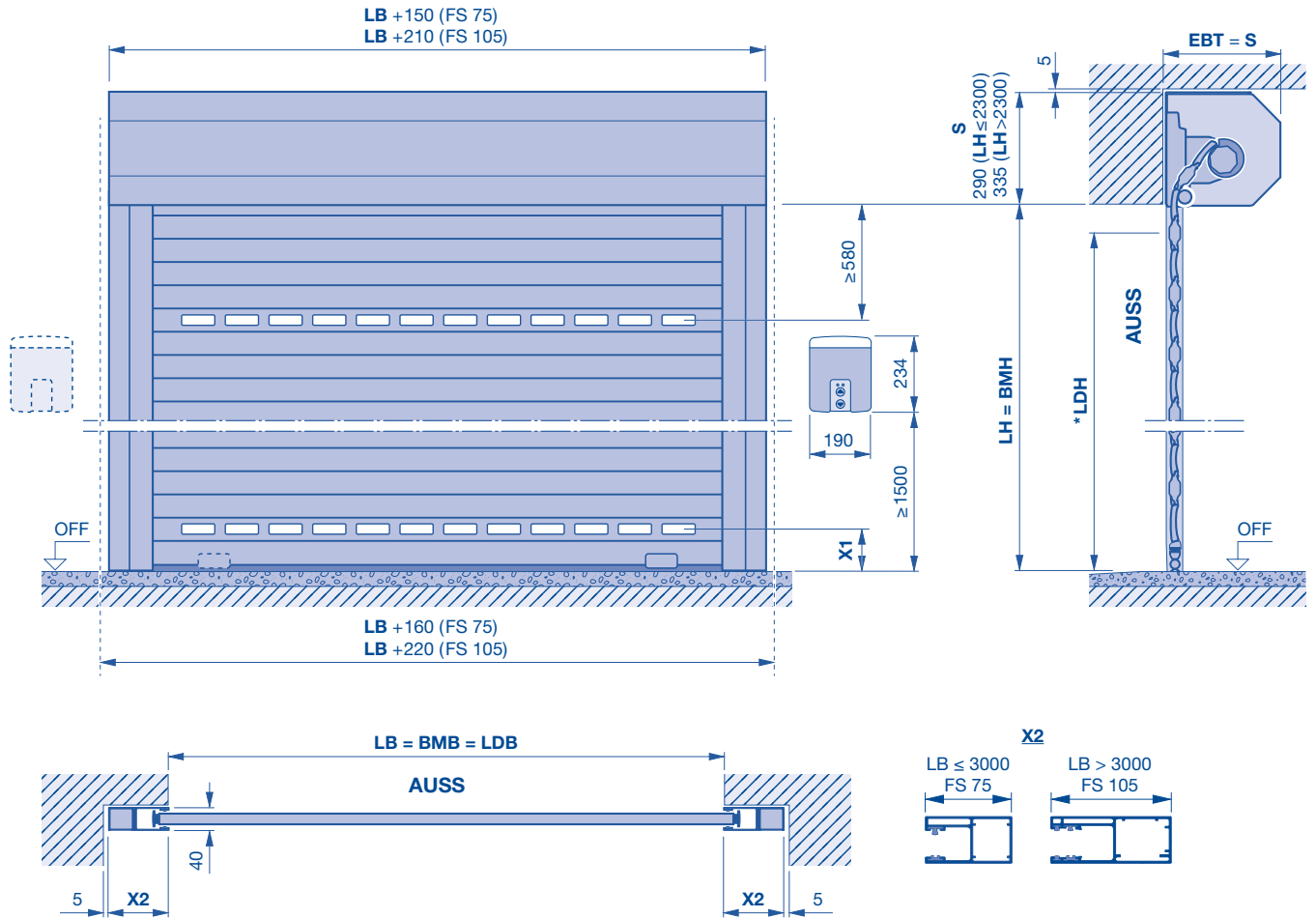
 RollMatic T

BMB Ordering size width
BMH Ordering size height
LB Clear width
LH Clear height

Fitting types

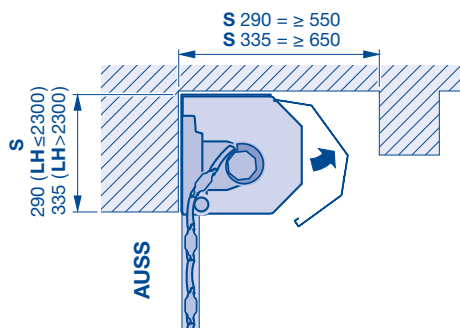
Roller garage door RollMatic T, internal roller garage door

Fitting behind the opening

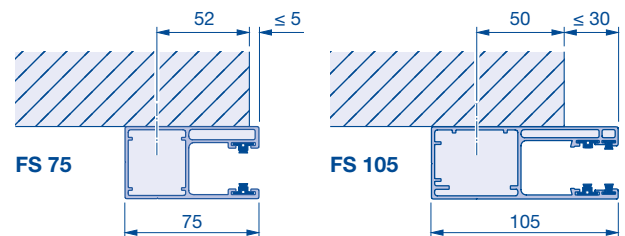


	FS 75	FS 105
* Clear passage height (LDH)	LH - 70	LH - 110

Fitting behind the lintel



Distance to guide rails



AUSS Exterior
BMB Ordering size width
BMH Ordering size height
EBT Fitting depth

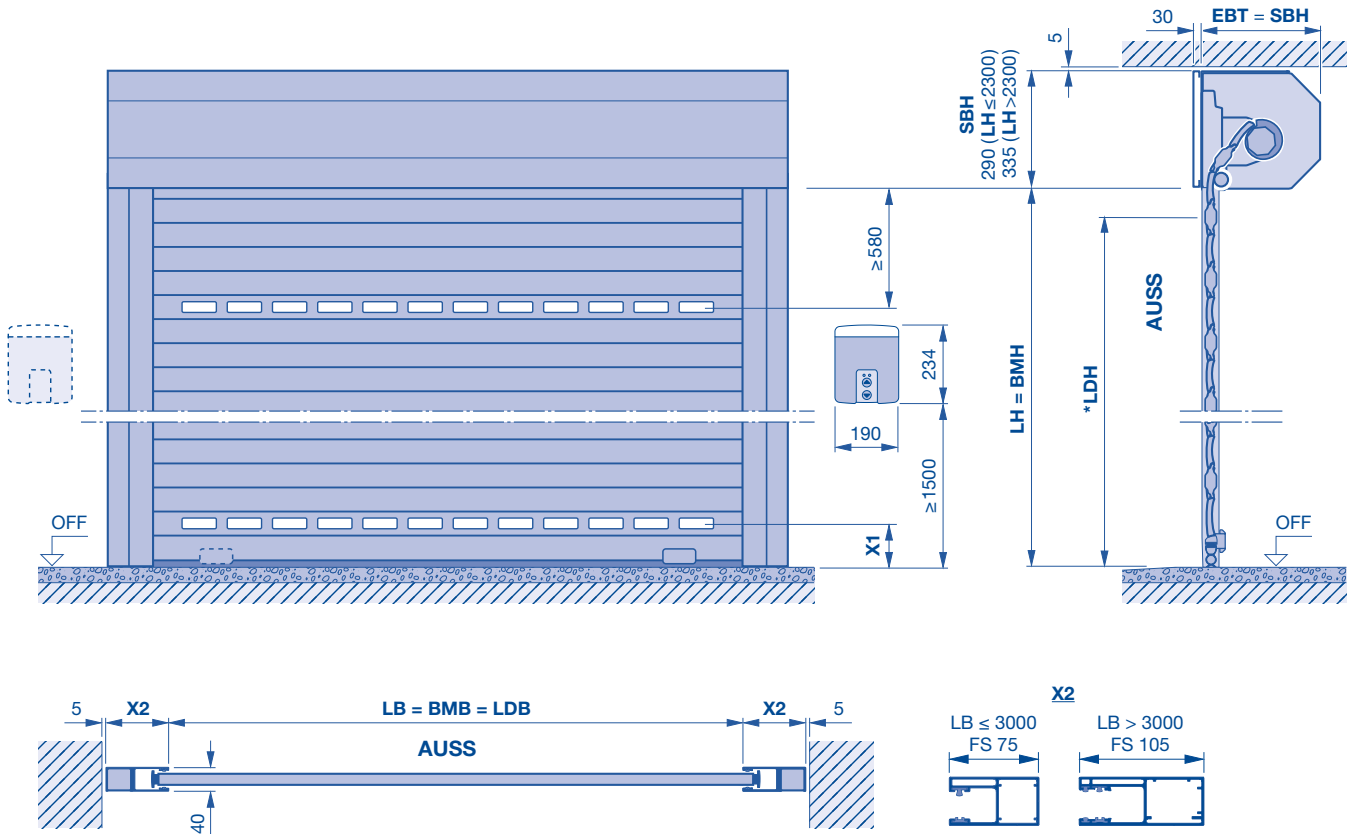
LB Clear width
LDB Clear passage width
LH Clear height
LDH Clear passage height

S Required headroom
X1 ≥ 150 mm
OFF Finished floor level (FFL)

Fitting types

Roller garage door RollMatic T, internal roller garage door

Fitting in the opening with additional fascia panel

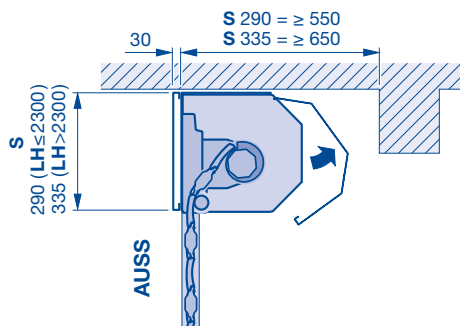


Notes:

An additional fascia panel is required!

	FS 75	FS 105
* Clear passage height (LDH)	LH - 70	LH - 110

Fitting behind the lintel



AUSS Exterior
BMB Ordering size width
BMH Ordering size height
EBT Fitting depth

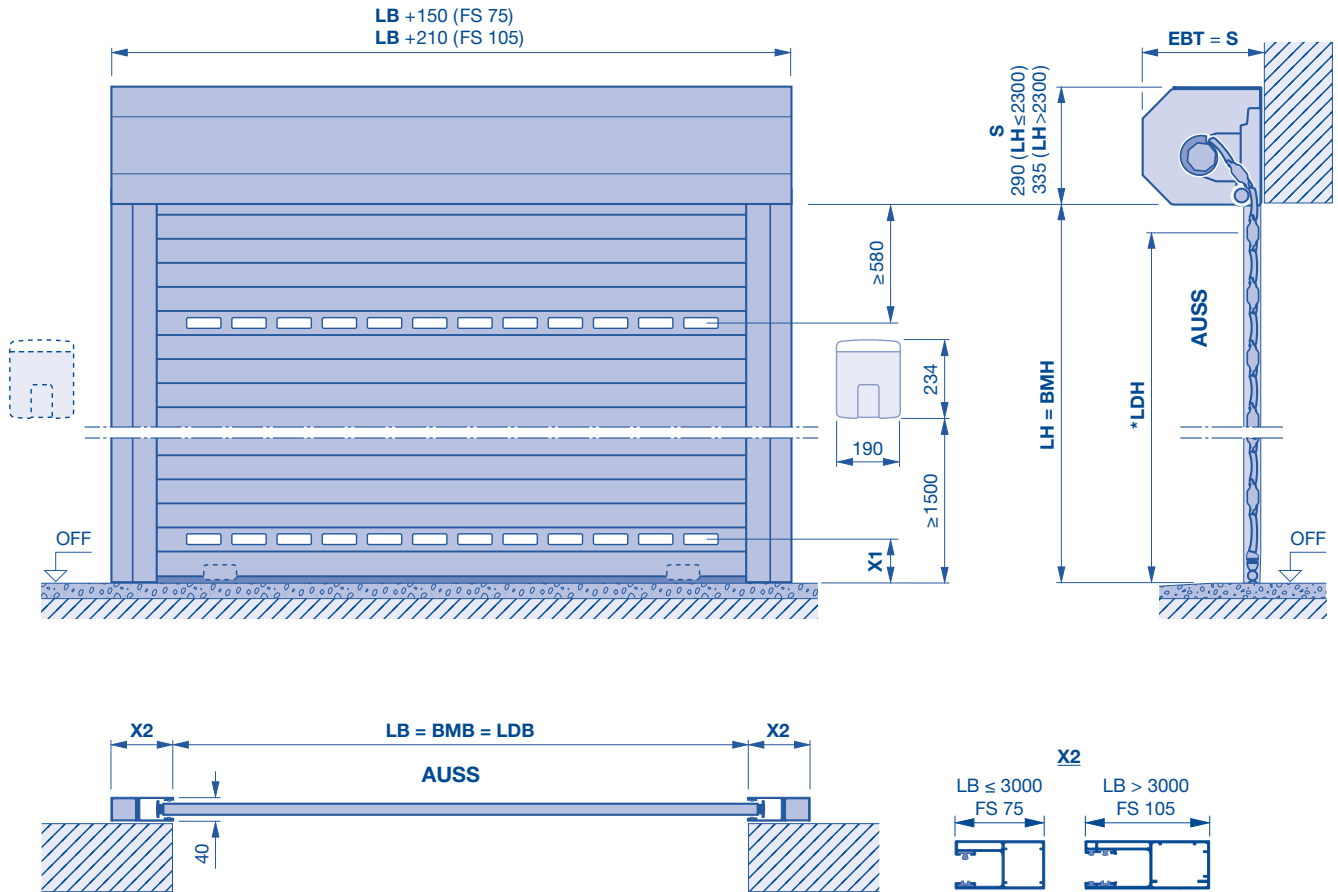
LB Clear width
LDB Clear passage width
LH Clear height
LDH Clear passage height

SBH Additional fascia panel height
X1 ≥ 150 mm
OFF Finished floor level (FFL)

Fitting types

Roller garage door RollMatic T, external roller garage door

Fitting in front of the opening

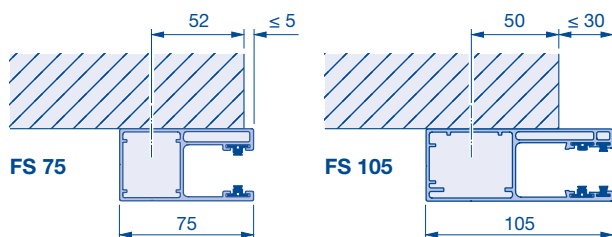


Notes:

Operator as standard on left when viewed from outside.
Operator on right optionally available.

	FS 75	FS 105
* Clear passage height (LDH)	LH - 70	LH - 110

Distance to guide rails



AUSS Exterior
BMB Ordering size width
BMH Ordering size height
EBT Fitting depth

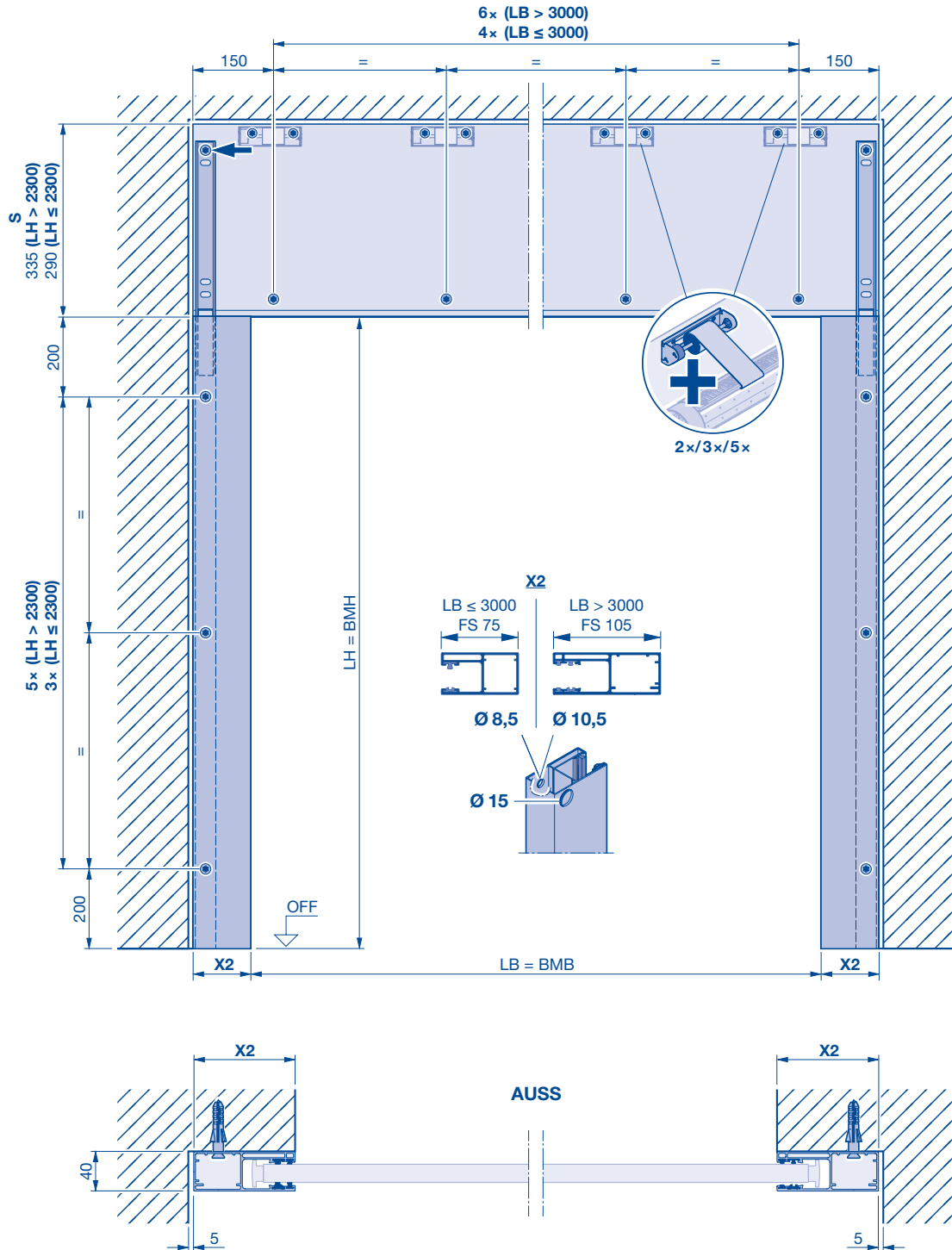
LB Clear width
LDB Clear passage width
LH Clear height
LDH Clear passage height

S Required headroom
X1 ≥ 150 mm
OFF Finished floor level (FFL)

Fixing Points Internal Roller Garage Door

Roller garage door RollMatic T

Fitting behind the opening



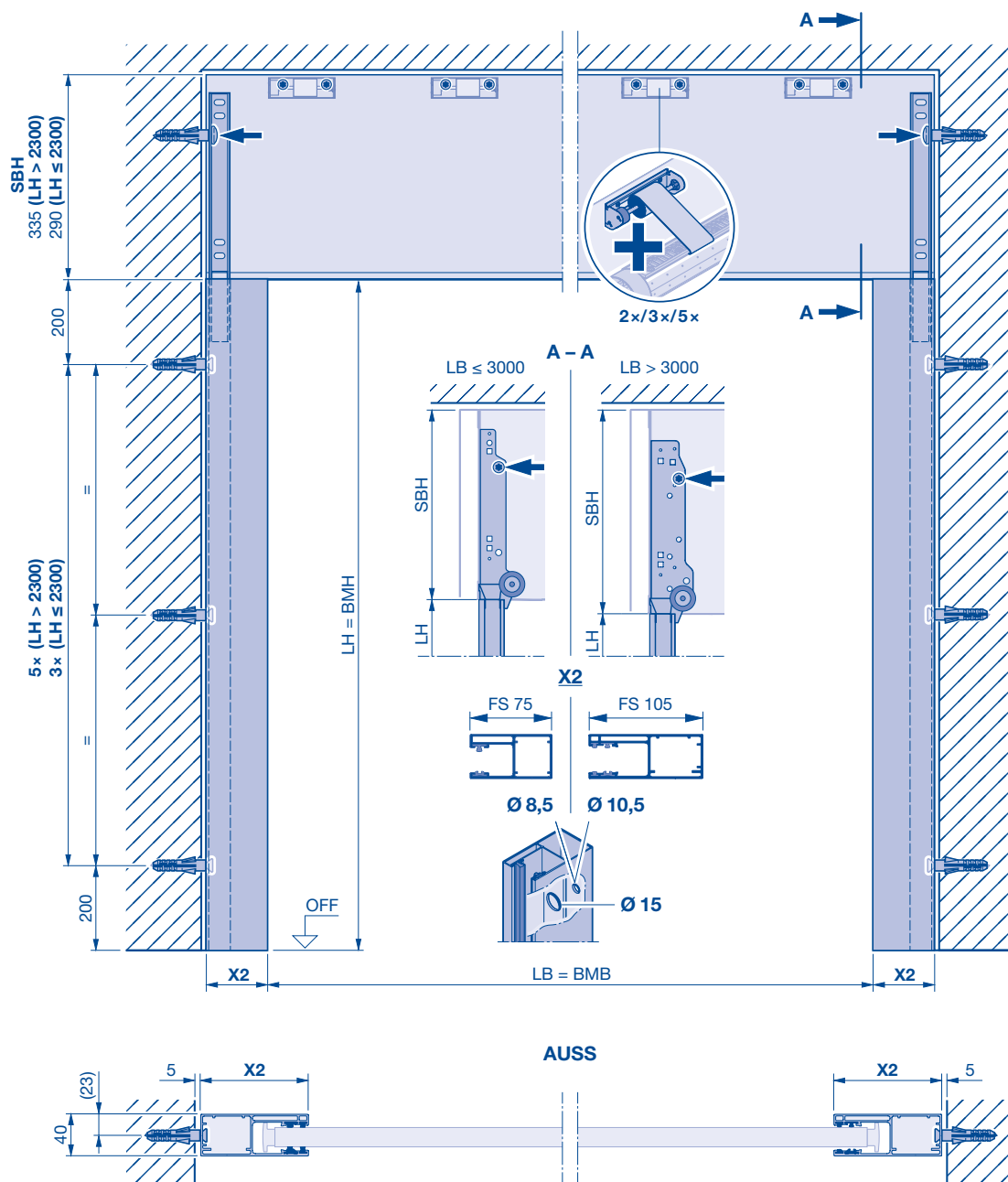
AUSS Exterior
BMB Ordering size width
BMH Ordering size height
LB Clear width

LH Clear height
S Required headroom
OFF Finished floor level (FFL)

Fixing Points Internal Roller Garage Door

Roller garage door RollMatic T

Fitting in the opening with additional fascia panel



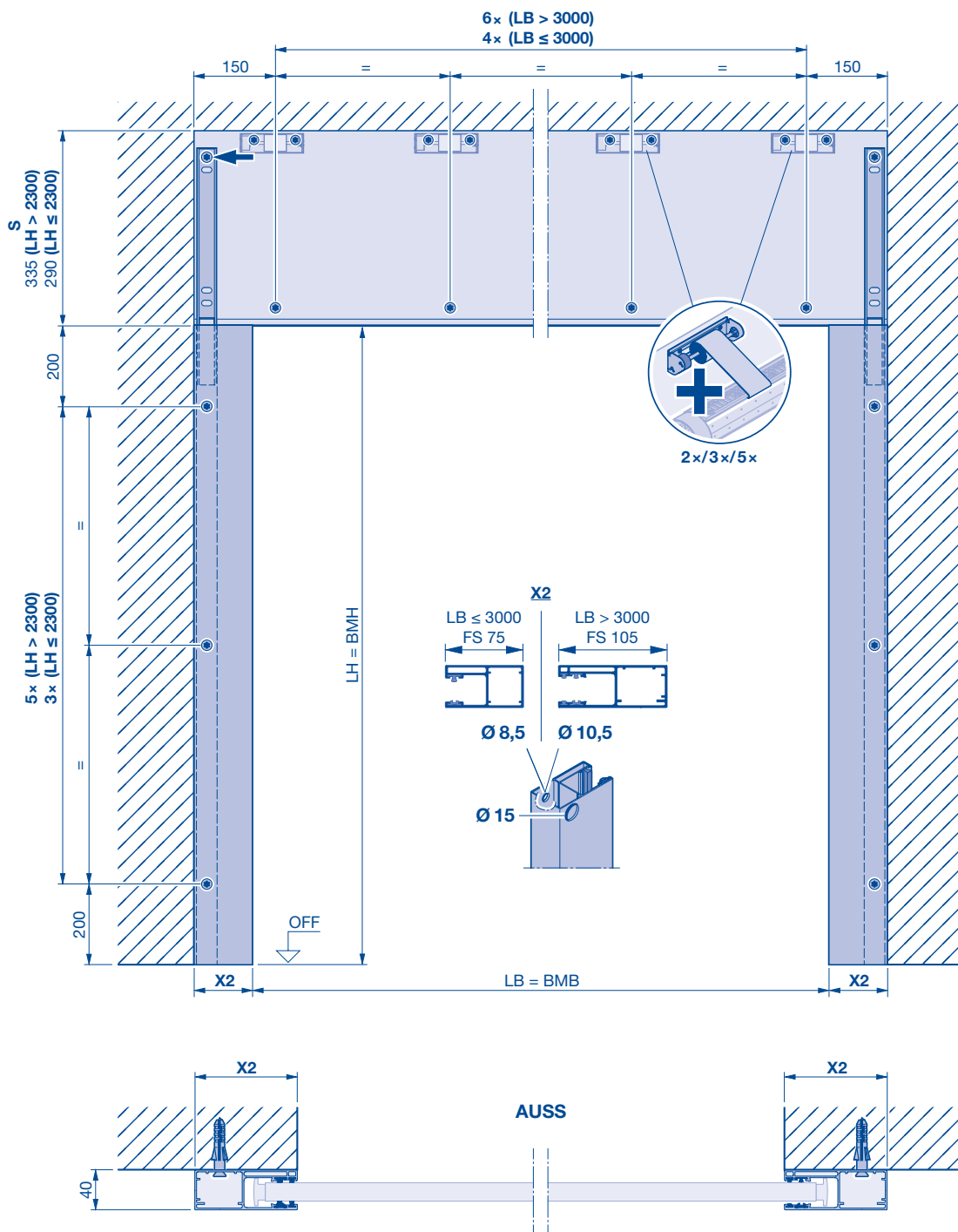
AUSS Exterior
BMB Ordering size width
BMH Ordering size height
LB Clear width

LH Clear height
SBH Additional fascia panel height
OFF Finished floor level (FFL)

Fixing Points External Roller Garage Door

Roller garage door RollMatic T

Fitting in front of the opening

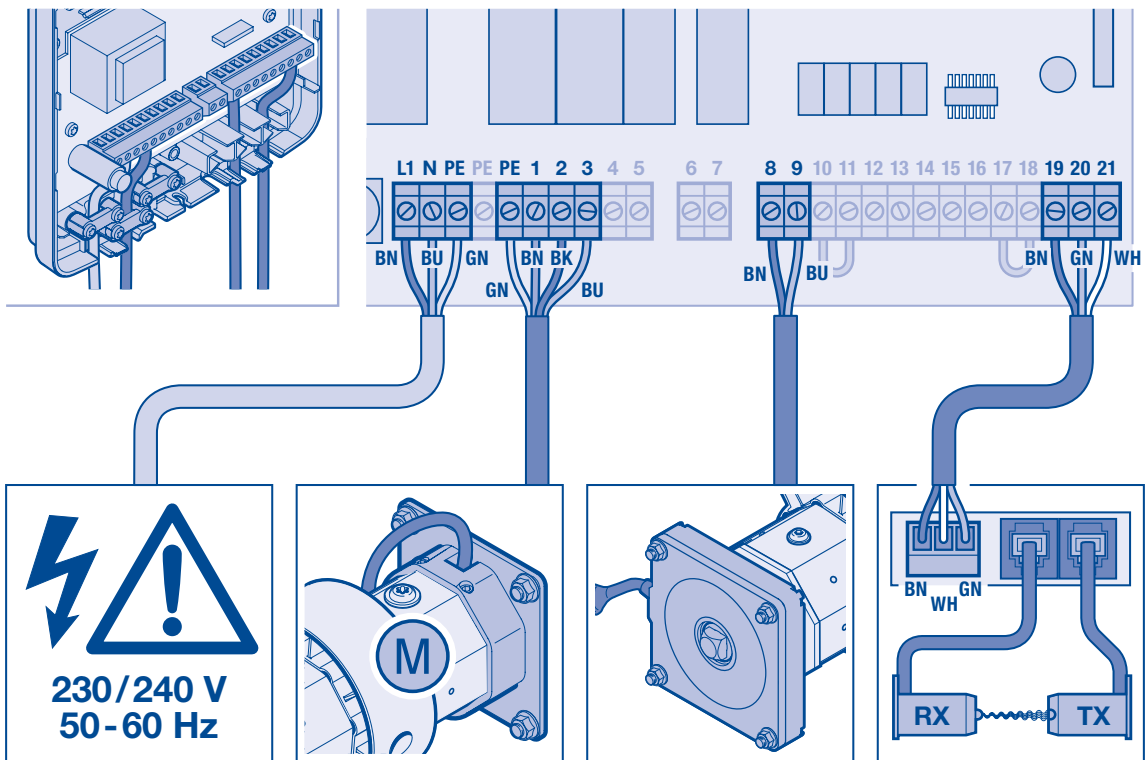
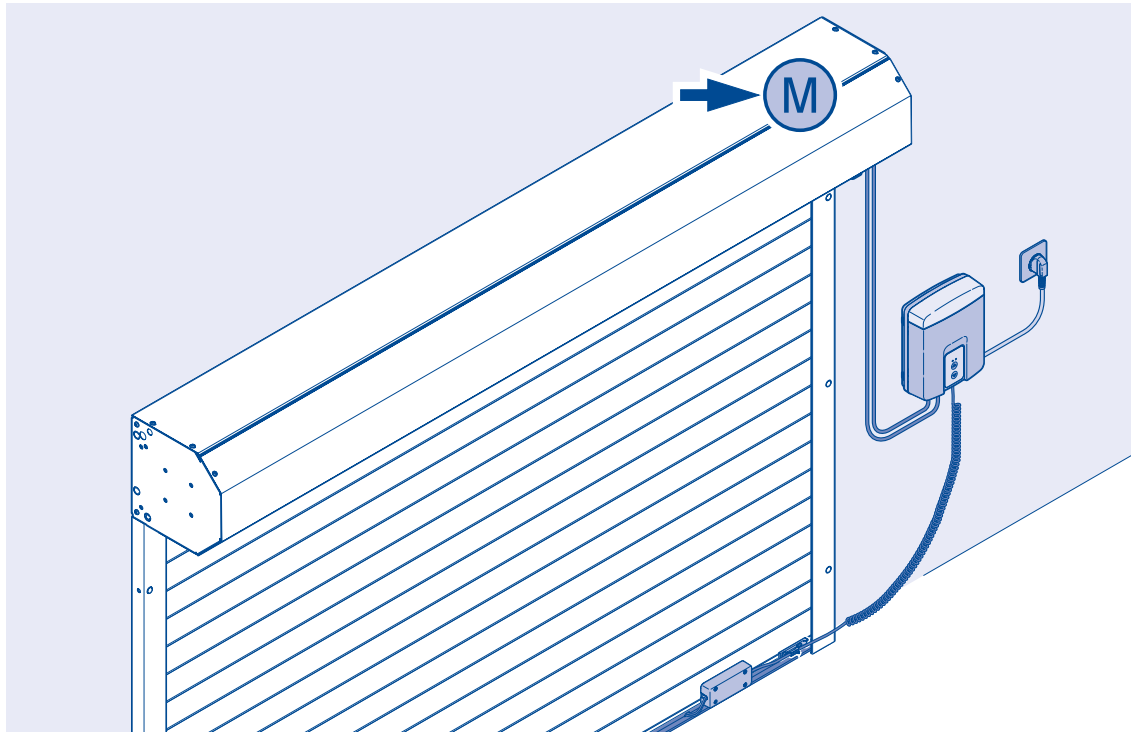


AUSS Exterior
BMB Ordering size width
BMH Ordering size height
LB Clear width

LH Clear height
S Required headroom
OFF Finished floor level (FFL)

Control connections

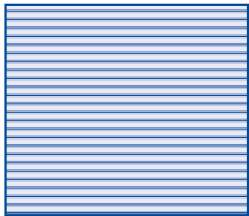
Roller garage door RollMatic T



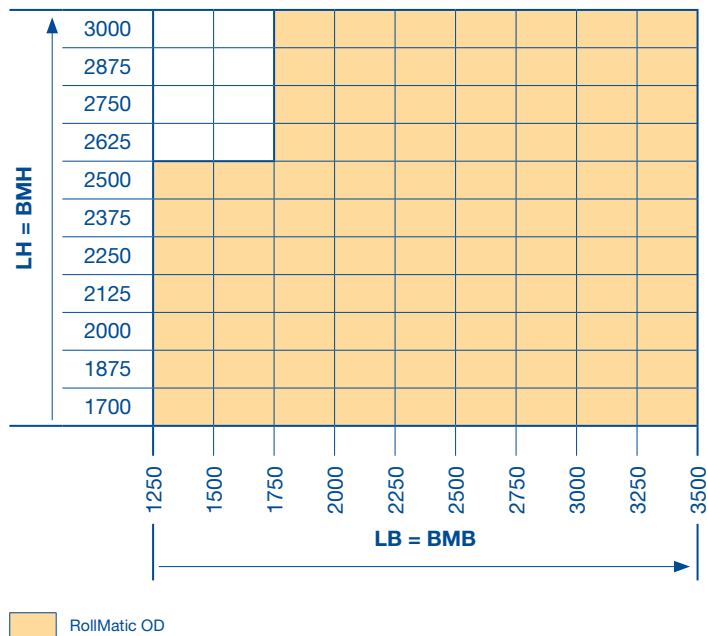
Garage horizontal door RollMatic OD

External views

Door curtain



Size range

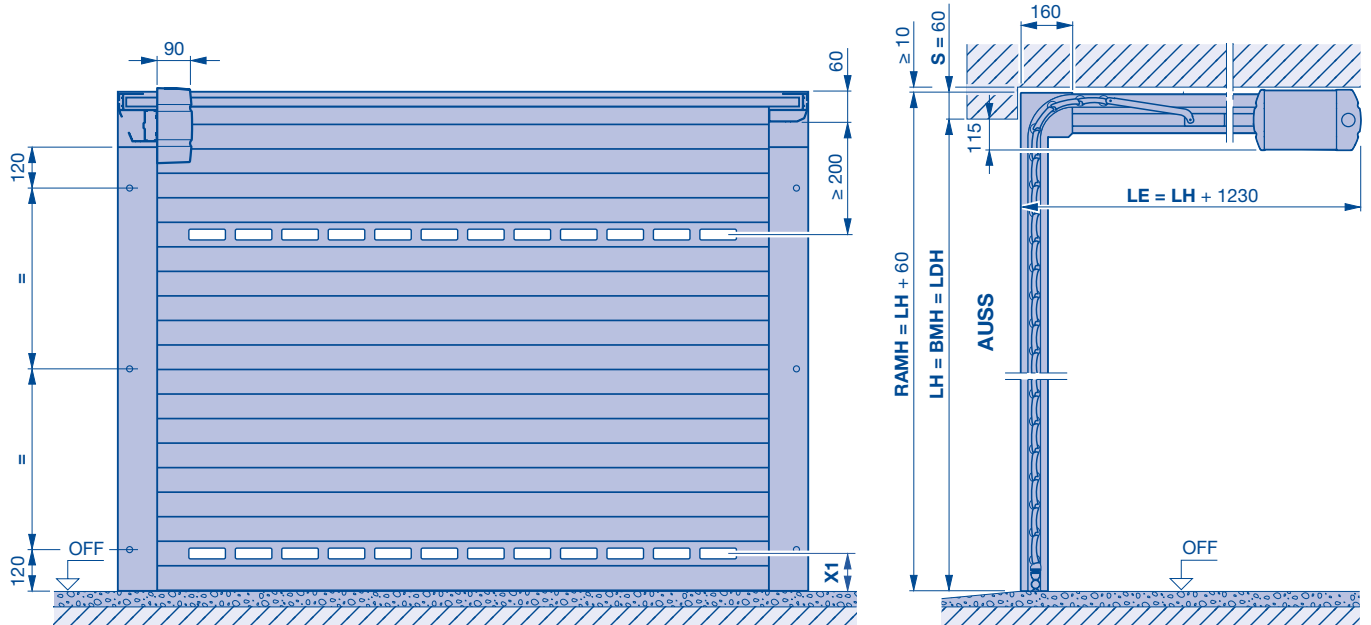


BMB Ordering size width
BMH Ordering size height
LB Clear width
LH Clear height

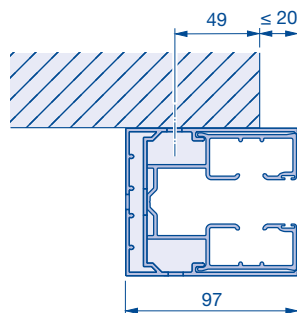
Fitting types

Garage horizontal door RollMatic OD

Fitting behind the opening



Distance to guide rails



AUSS	Exterior
BMB	Ordering size width
BMH	Ordering size height
LB	Clear width
LDB	Clear passage width

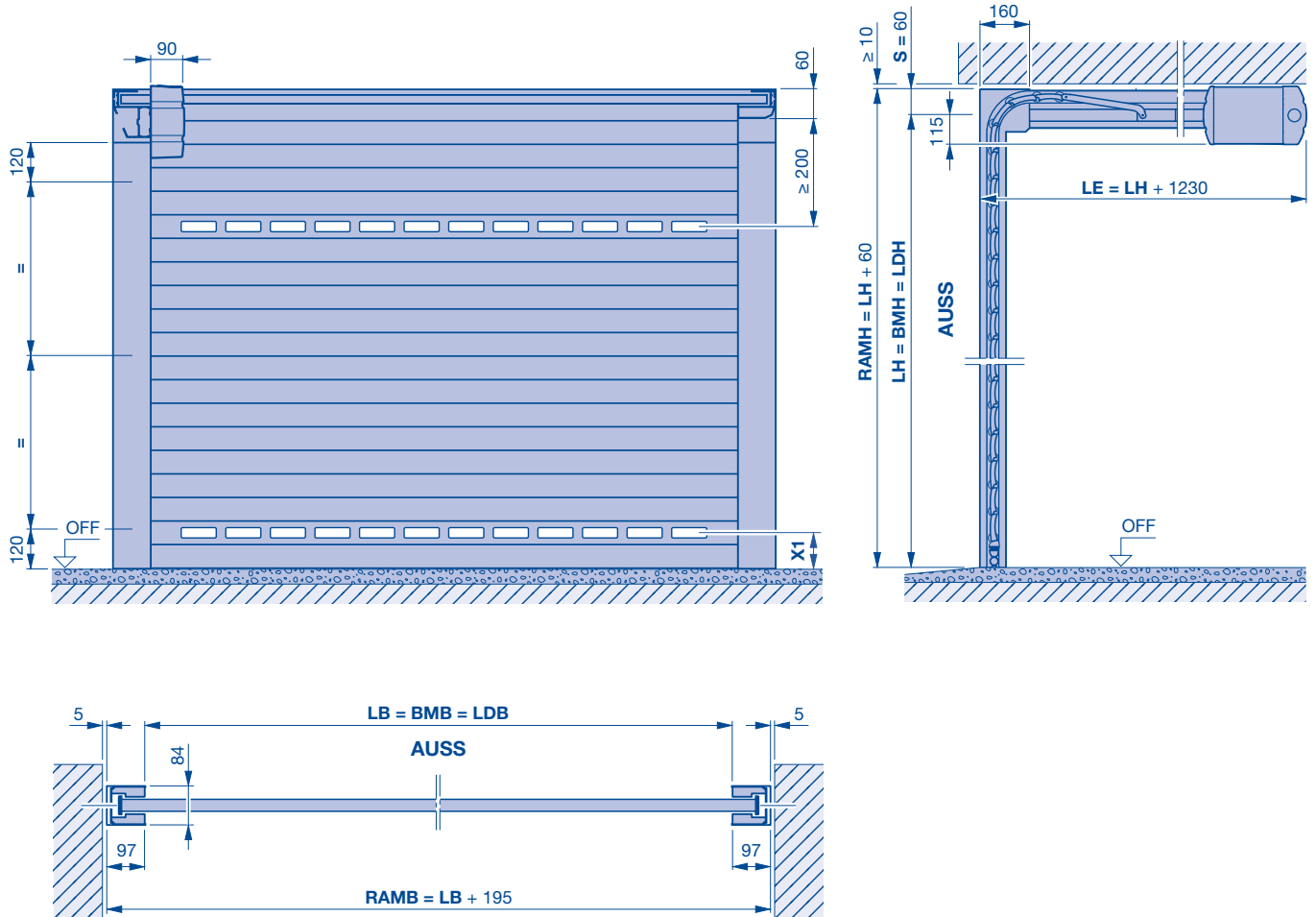
LE	Fitting depth with operator
LH	Clear height
LDH	Clear passage height
RAMB	Overall frame width
RAMH	Overall frame height

S	Required headroom
X1	≥ 150 mm
OFF	Finished floor level (FFL)

Fitting types

Garage horizontal door RollMatic OD

Fitting in the opening



AUSS Exterior
BMB Ordering size width
BMH Ordering size height
LB Clear width
LDB Clear passage width

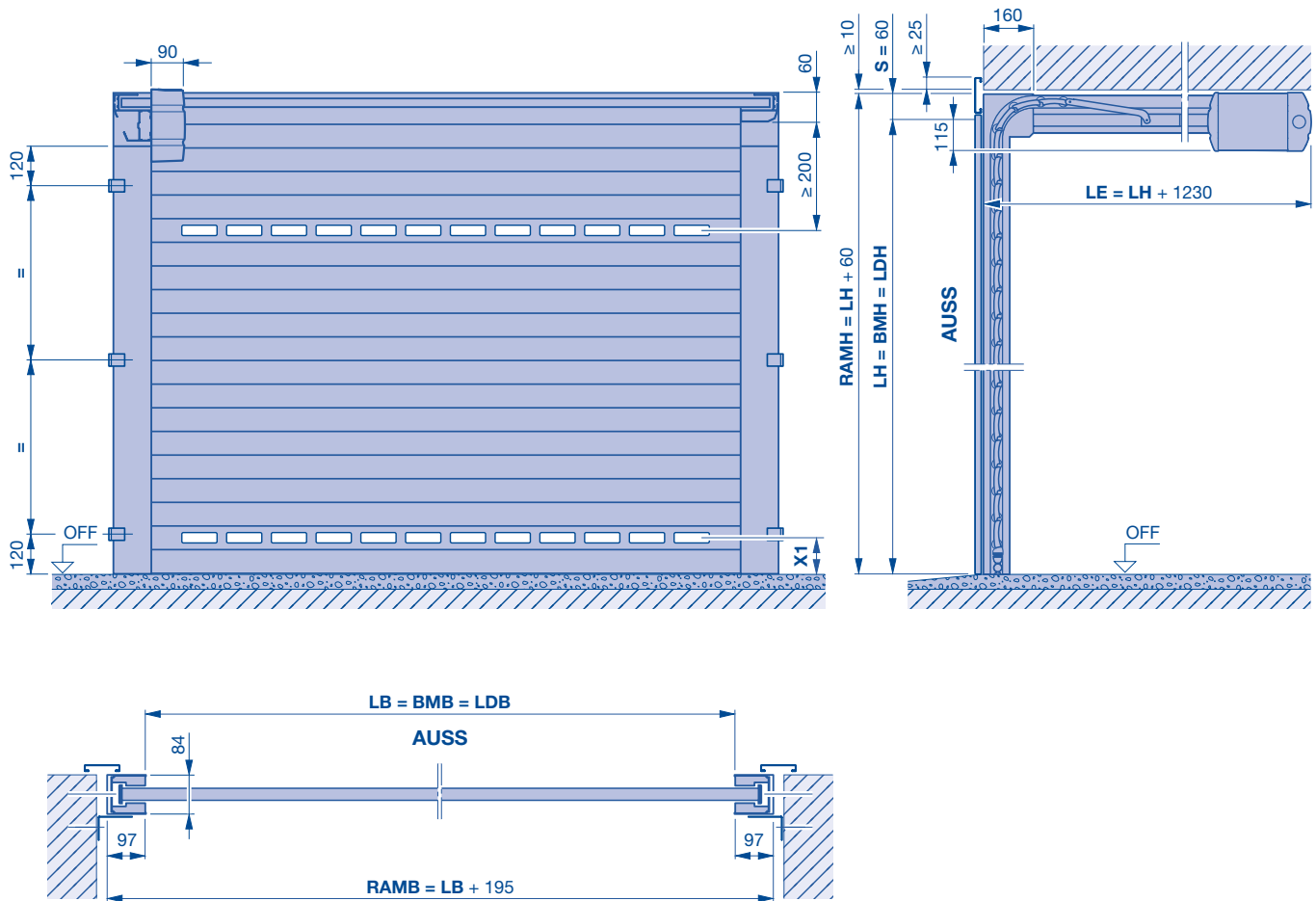
LE Fitting depth with operator
LH Clear height
LDH Clear passage height
RAMB Overall frame width
RAMH Overall frame height

S Required headroom
X1 ≥ 150 mm
OFF Finished floor level (FFL)

Fitting types

Garage horizontal door RollMatic OD

Fitting in the opening, flush-fitting with fascia frame 95



Notes:

LB = max. 3150 mm
LH = max. 2700 mm

AUSS Exterior
BMB Ordering size width
BMH Ordering size height
LB Clear width
LDB Clear passage width

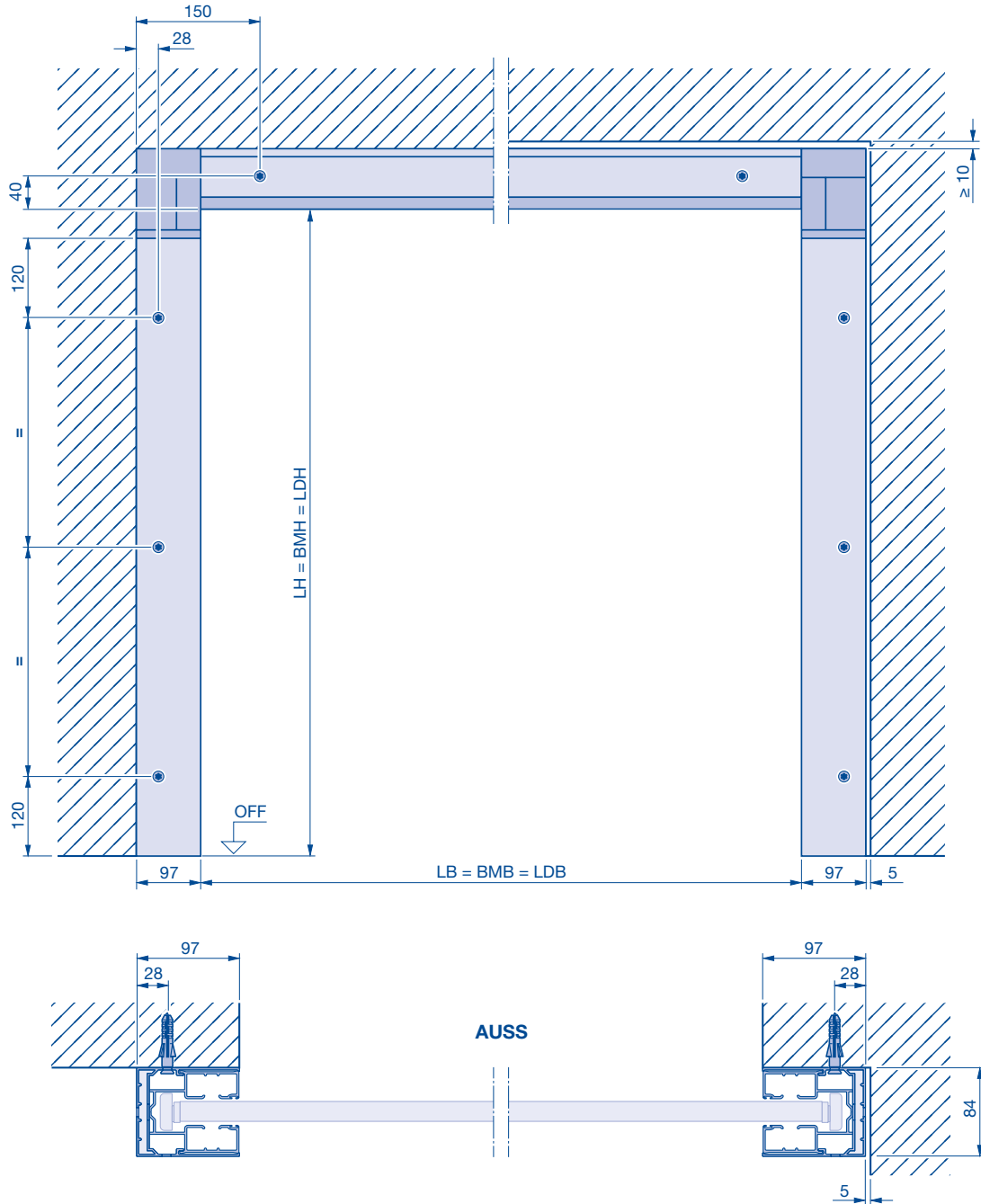
LE Fitting depth with operator
LH Clear height
LDH Clear passage height
RAMB Overall frame width
RAMH Overall frame height

S Required headroom
X1 ≥ 150 mm
OFF Finished floor level (FFL)

Fixing points

Garage horizontal door RollMatic OD

Fitting behind the opening



AUSS Exterior
BMB Ordering size width
BMH Ordering size height
LB Clear width

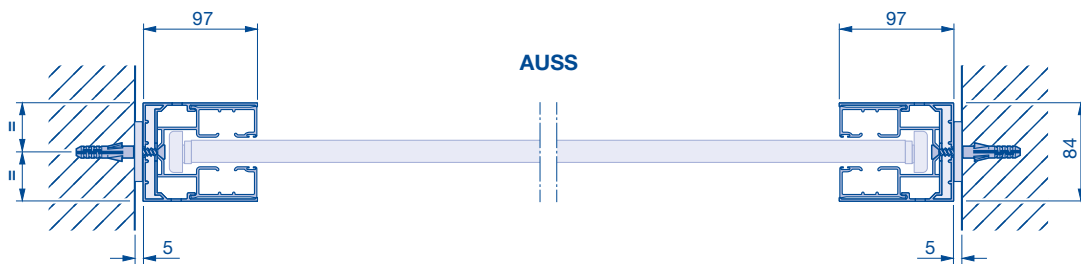
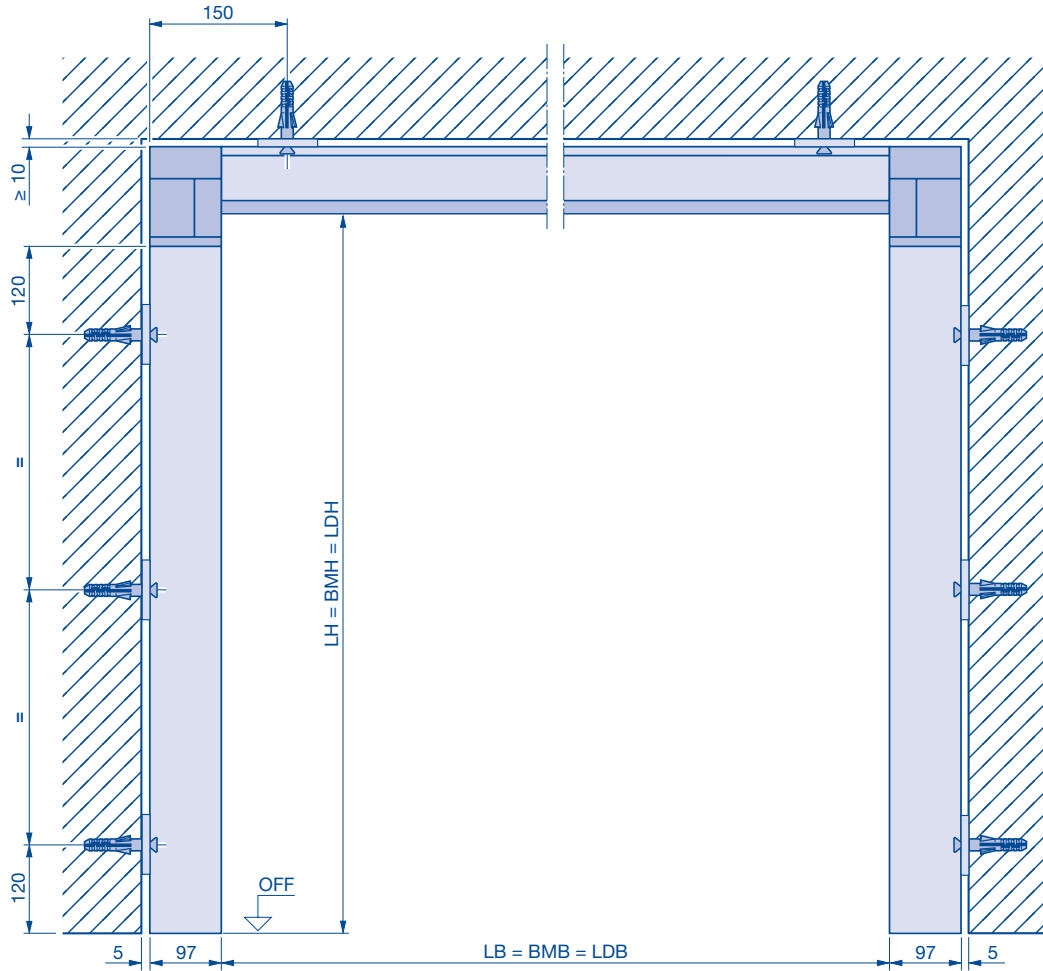
LDB Clear passage width
LH Clear height
LDH Clear passage height
S Required headroom

OFF Finished floor level (FFL)

Fixing points

Garage horizontal door RollMatic OD

Fitting in the opening



AUSS	Exterior
BMB	Ordering size width
BMH	Ordering size height
LB	Clear width

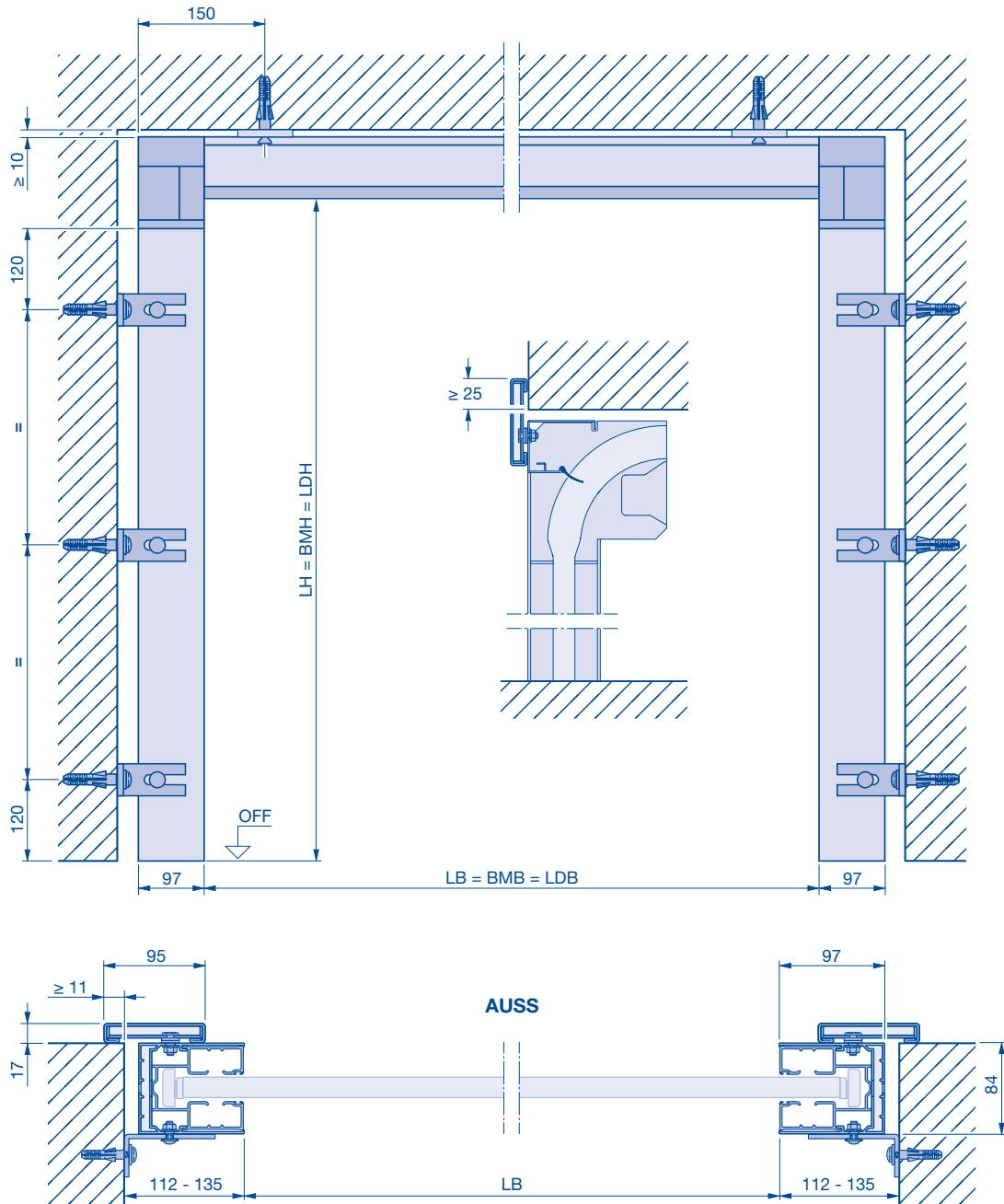
LDB	Clear passage width
LH	Clear height
LDH	Clear passage height
SBH	Additional fascia panel height

OFF	Finished floor level (FFL)
------------	----------------------------

Fixing points

Garage horizontal door RollMatic OD

Fitting in the opening, flush-fitting with fascia frame 95



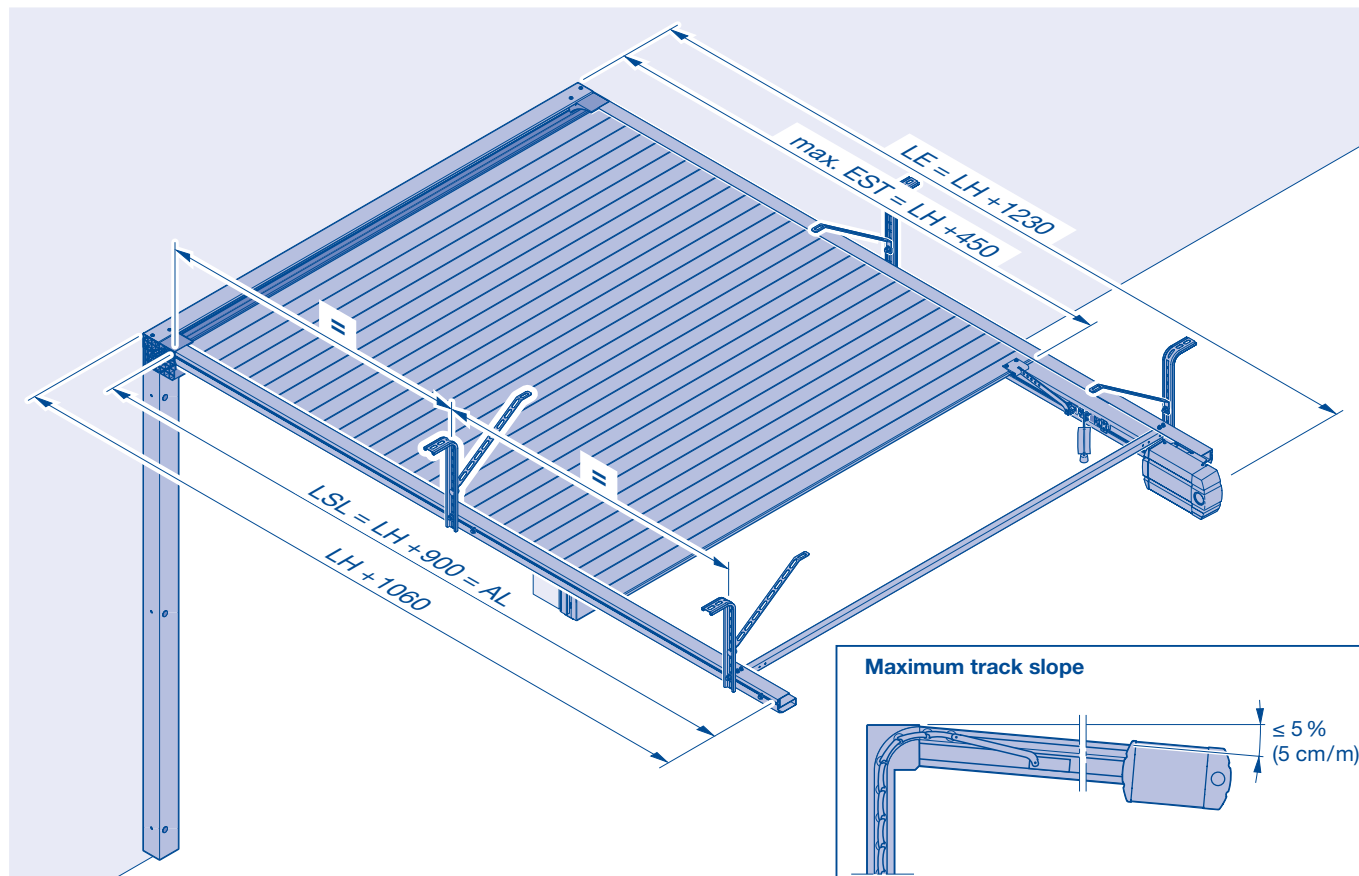
AUSB Exterior
BMB Ordering size width
BMH Ordering size height
LB Clear width

LDB Clear passage width
LH Clear height
LDH Clear passage height
LMB Structural opening width

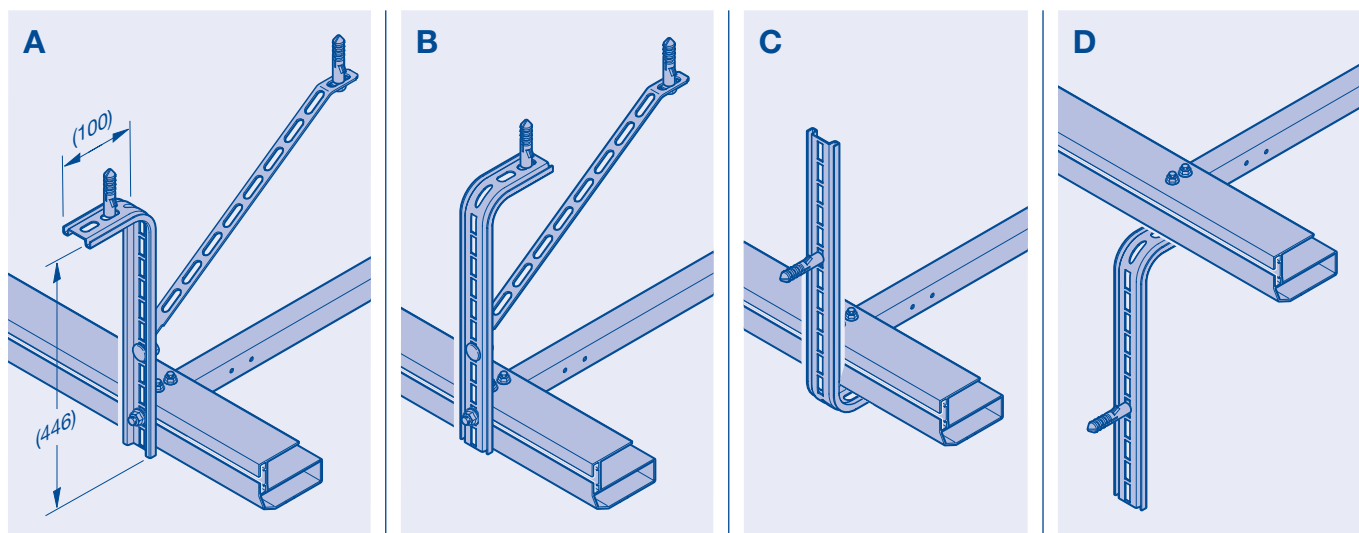
S Required headroom
OFF Finished floor level (FFL)

Vertical track fastening and distance back

Garage horizontal door RollMatic OD



Fixing variants



AL Operator boom length
EST Door leaf distance back
LE Distance back with operator
LH Clear height

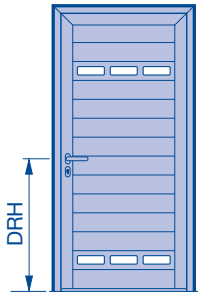
LSL Track length
Max. Maximum

Side doors NT 60

With corner frame made of aluminium profiles

Profile type 4

External views



Size range

Ordering size = BRB × BRH	
Width × height	DRH from FFL
From 875 × 1800 up to 1284 × 2500	1050

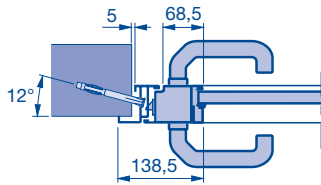
BRB Nominal size width
BRH Nominal size height
DRH Lever height
OFF Finished floor level (FFL)

Side doors NT 60

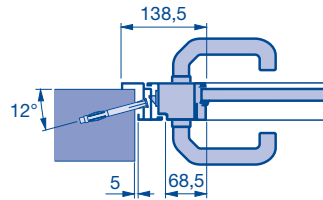
With corner frame made of aluminium profiles

Profile type 4

Opening inwards

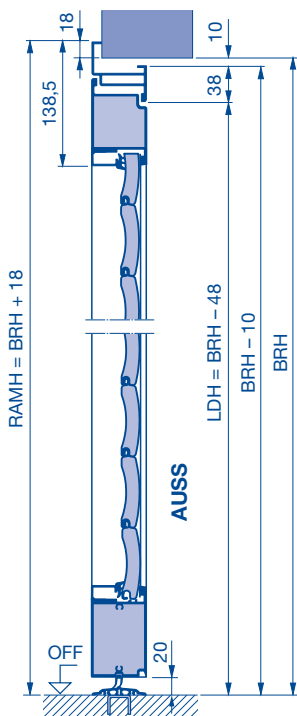


Opening outwards

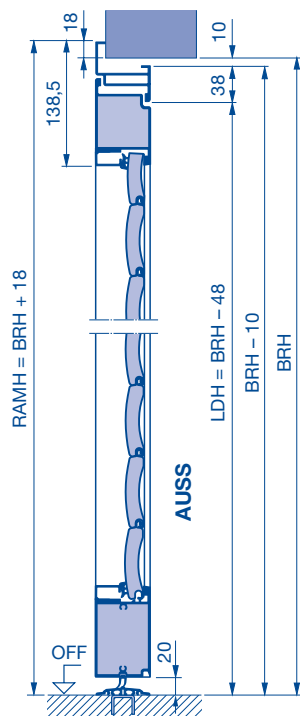


Internal fitting opening inwards

Matching internal roller garage doors

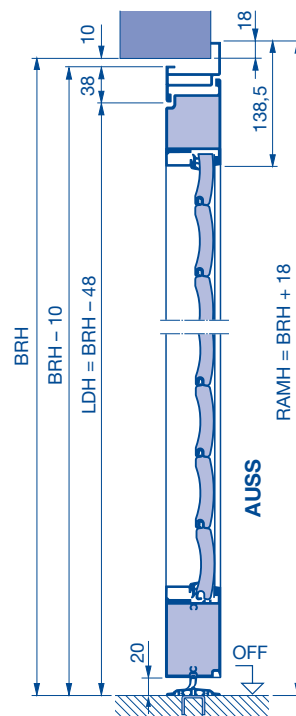


Matching external roller garage doors

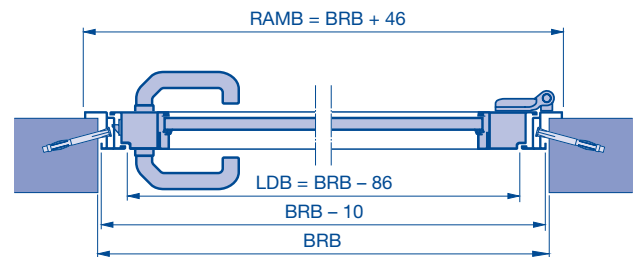
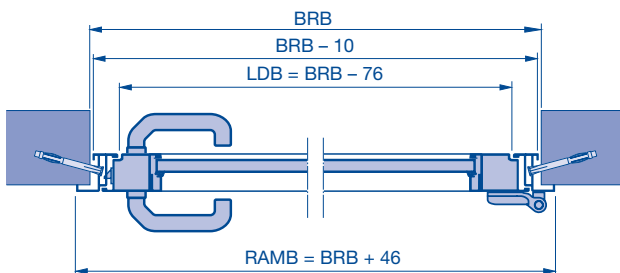
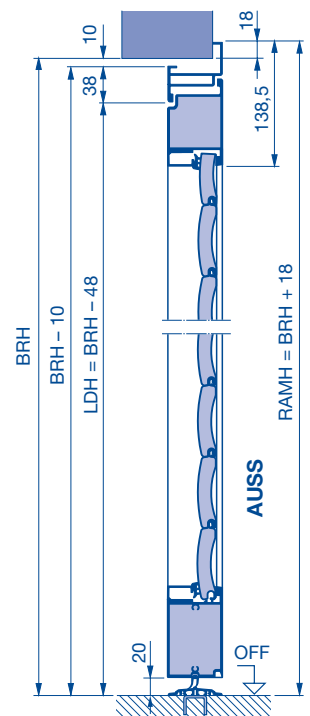


External fitting opening outwards

Matching internal roller garage doors



Matching external roller garage doors



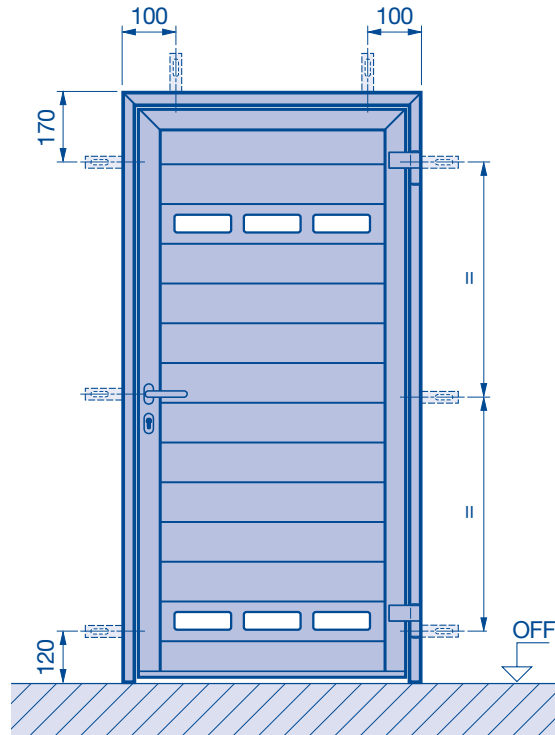
AUSS Exterior
BRB Nominal size width
BRH Nominal size height
LDB Clear passage width

LDH Clear passage height
RAMB Overall frame width
RAMH Overall frame height
OFF Finished floor level (FFL)

Side doors NT 60

With corner frame made of aluminium profiles

Optimal position of anchors



OFF Finished floor level (FFL)

Side doors NT 60

With block frame made of aluminium profiles

Profile type 4

External views



Size range

Ordering sizes = RAM		
Width x height		DRH from FFL
From	855 x 1800	1050
up to	1330 x 2558	

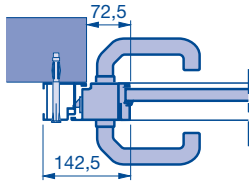
DRH Lever height
RAM Overall frame dimensions
OFF Finished floor level (FFL)

Side doors NT 60

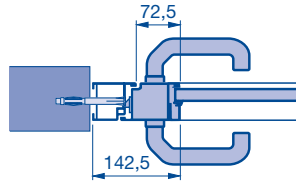
With block frame made of aluminium profiles

Profile type 4

Opening inwards

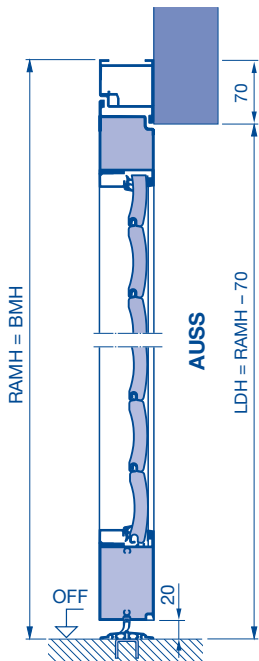


Opening inwards or outwards

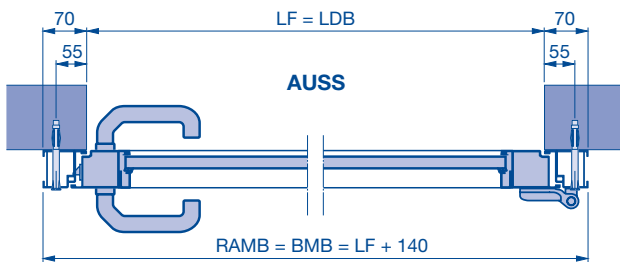
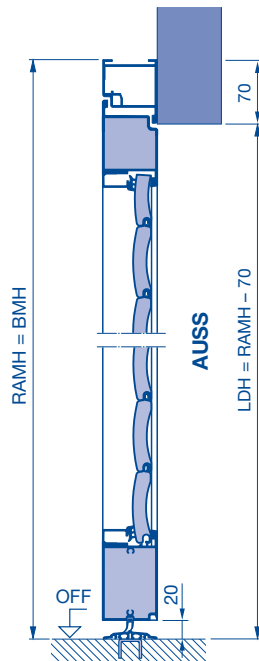


Fitting behind the opening / opening inwards

Matching internal roller garage doors



Matching external roller garage doors



AUSS Exterior
BRB Nominal size width
BRH Nominal size height
LDB Clear passage width

LDH Clear passage height
LF Structural opening
RAMB Overall frame width
RAMH Overall frame height

OFF Finished floor level (FFL)

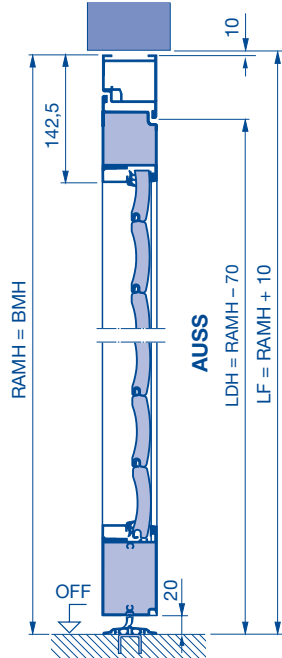
Side doors NT 60

With block frame made of aluminium profiles

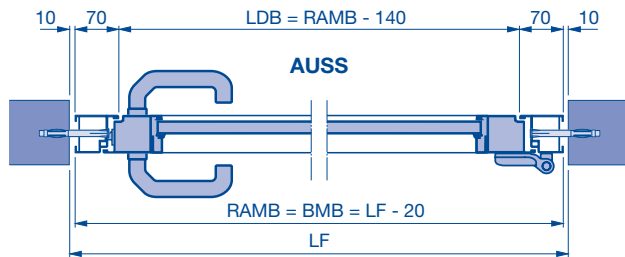
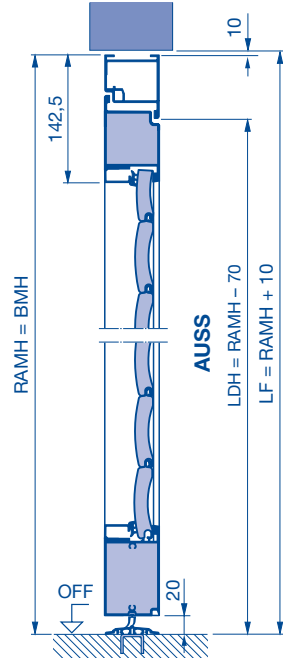
Profile type 4

Fitting in the opening, opening inwards

Matching internal roller garage doors



Matching external roller garage doors



AUSS Exterior
BRB Nominal size width
BRH Nominal size height
LDB Clear passage width

LDH Clear passage height
LF Structural opening
RAMB Overall frame width
RAMH Overall frame height

OFF Finished floor level (FFL)

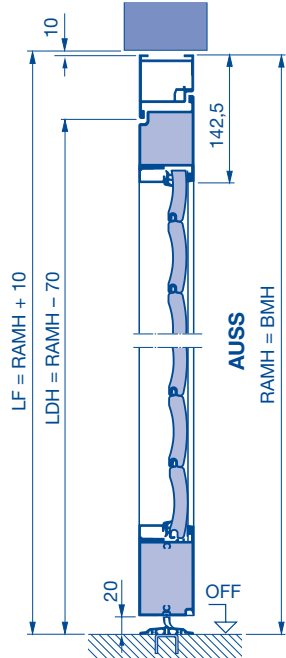
Side doors NT 60

With block frame made of aluminium profiles

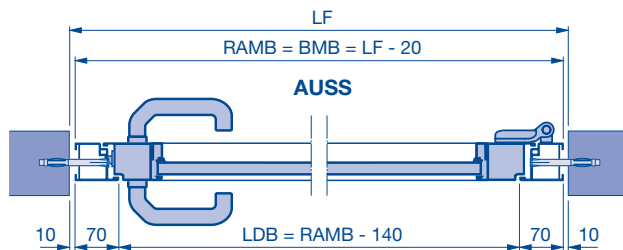
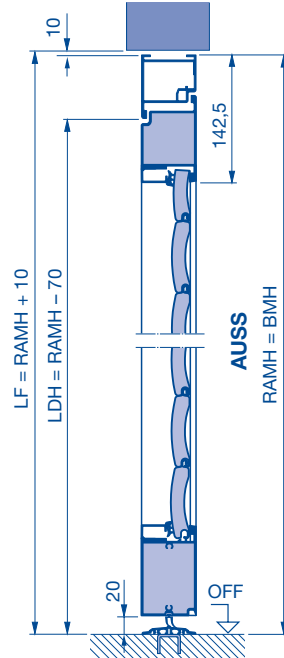
Profile type 4

Fitting in the opening, opening outwards

Matching internal roller garage doors



Matching external roller garage doors



AUSS	Exterior
BRB	Nominal size width
BRH	Nominal size height
LDB	Clear passage width

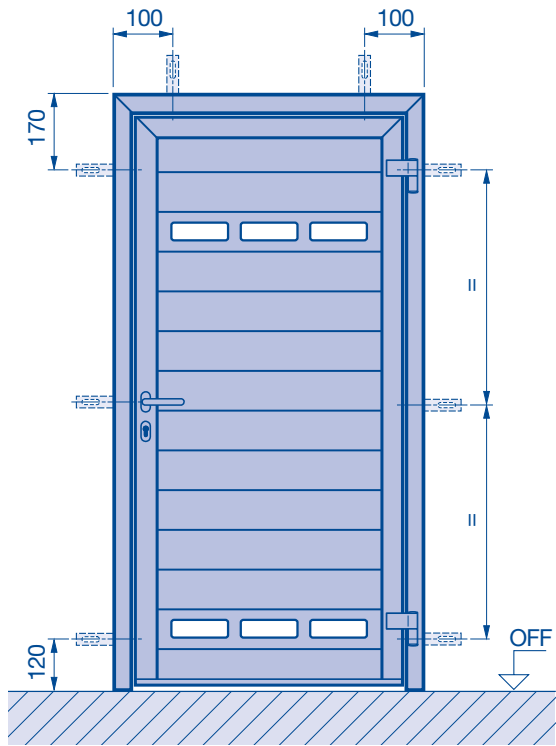
LDH	Clear passage height
LF	Structural opening
RAMB	Overall frame width
RAMH	Overall frame height

OFF	Finished floor level (FFL)
------------	----------------------------

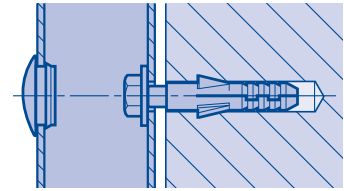
Side doors NT 60

With block frame made of aluminium profiles

Optimal position of anchors



Screw fitting through the frame



Brand quality for residential and commercial construction

The family-owned company Hörmann offers all important construction components for building and renovating projects from a single source. We manufacture in highly-specialised factories using the latest production technologies. Furthermore, our employees work intensively on new products, continual further developments and improvements to details. The results are patents and one-of-a-kind products you can depend on.

