



Perimeter protection systems

NEW: Fixed High Security bollards with flat ground fitting and a fitting depth of only 200 mm

4Ddoors
GARAGE DOORS REDEFINED

HÖRMANN

Fixed bollards SF

With flat ground fitting and a fitting depth of only 200 mm



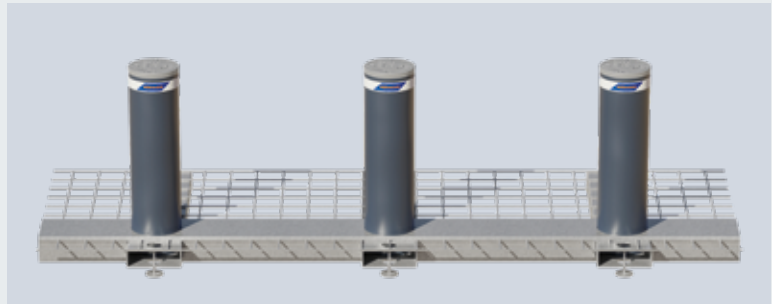
NEW



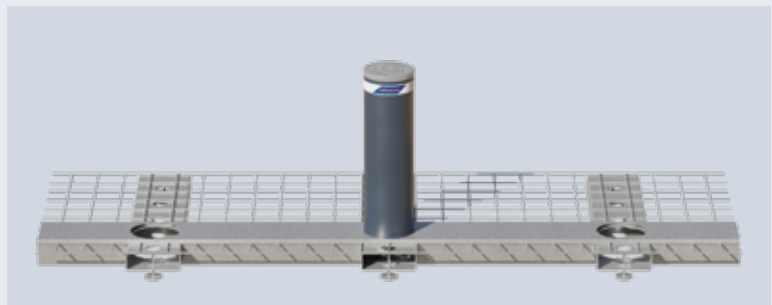
HIGH SECURITY

F 275-M30-900 SF

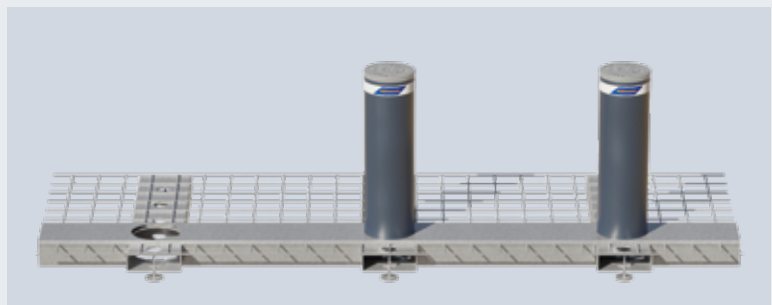
- For fitting over supply lines laid in the ground or e.g. over underground garages
- Very low fitting depths of only 200 mm for road surfaces with asphalt
- Optional: 300 mm fitting depth for road surfaces e.g. with paving stones
- An arrangement with any number of rows, with multiple bollards
- Custom angle arrangements at 90°, 45° and 30° angles
- Can also be used with gradients
- Harmonious appearance in combination with other High Security bollards thanks to matching cylinders
- Little earthworks and reduced assembly required thanks to ready-to-fit modules, including steel reinforcement



Standard ground fitting with **3 fixed cylinders**



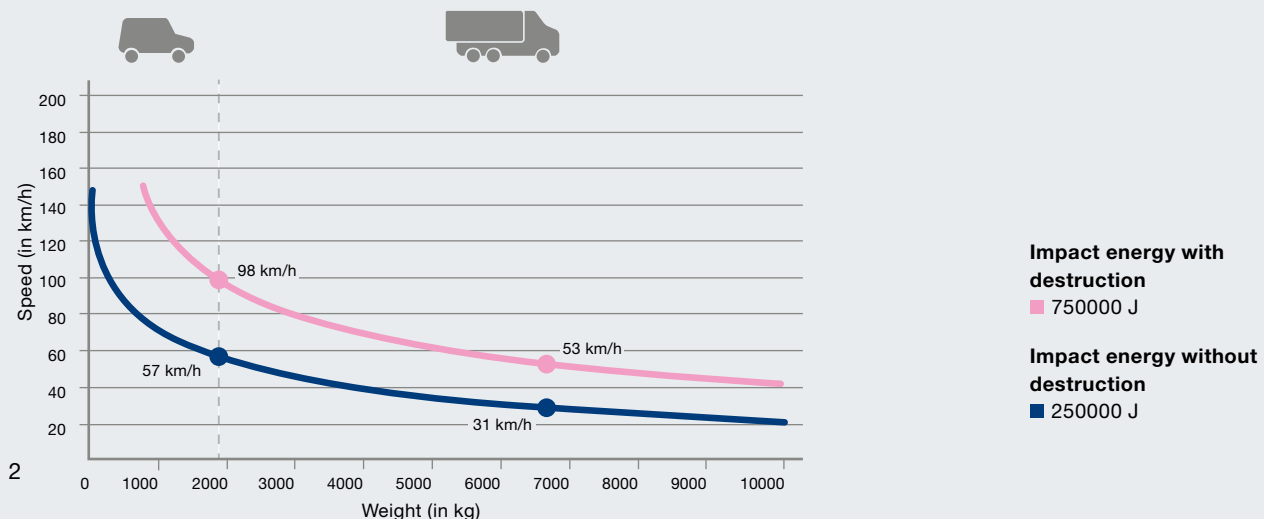
Standard ground fitting with **1 fixed cylinder** (arrangement in direction of travel to centre), optionally on right and on left



Standard ground fitting with **2 fixed cylinders** (arrangement in direction of travel to centre / right), arrangement in direction of travel to centre / left also possible

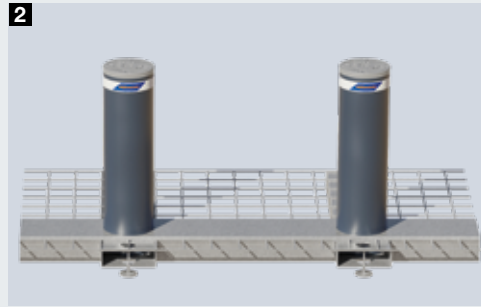
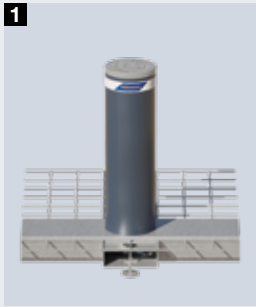
For information about the equipment options, see page 4.

F 275-M30-900 SF	
Diameter	273 mm
Height	900 mm
Fitting depth for combination with asphalt (standard)	200 mm
Fitting depth e.g. for combination with paving stones (optional)	300 mm
Certified to (prerequisite: standard ground fitting for 3 cylinders)	PAS68, IWA14-1, M30, K4
Impact energy with destruction	750000 J
Impact energy without destruction	250000 J



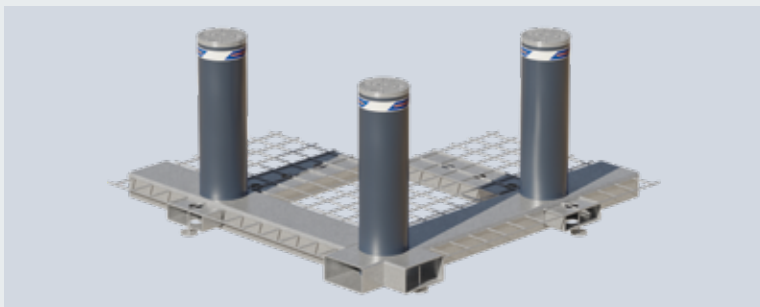
Fixed bollards SF

Versions, arrangement and dimensions



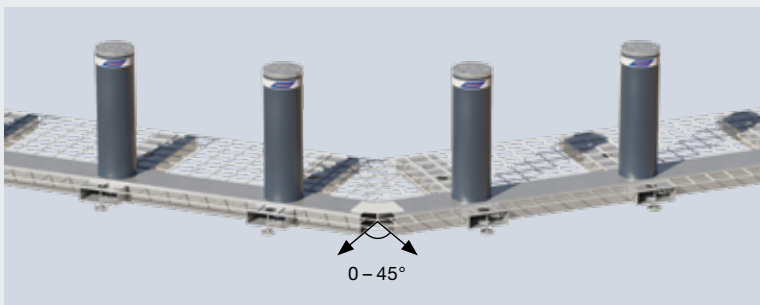
Modules with 1 or 2 bollards

Ground fitting with 1 bollard **1** or 2 bollards **2** to extend the standard ground fitting



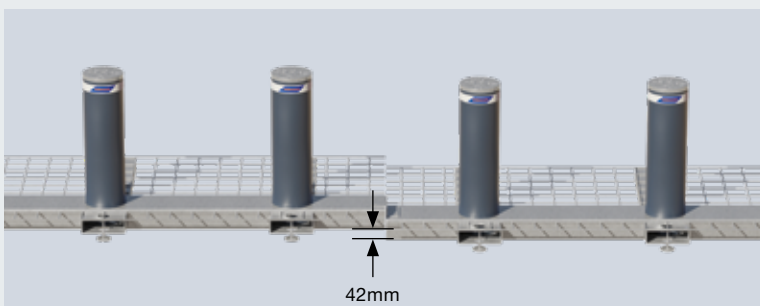
Module with 3 bollards in 90° arrangement

Ground fitting in 90° angle arrangement with 3 fixed bollards



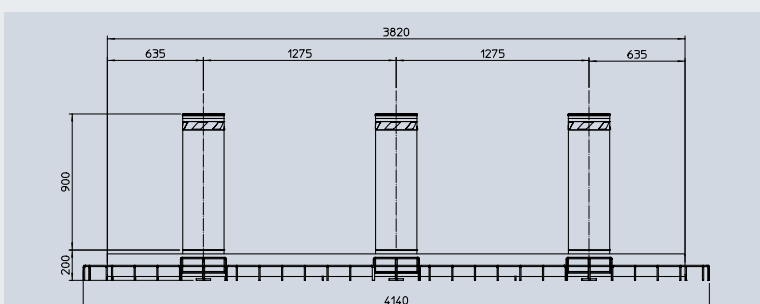
Angle arrangements

Fitting set 0° / 30° / 45° to join ground fittings in case of an even surface



Inclining or sloping arrangement

Fitting set to join ground fittings in case of surfaces with a gradient (also possible in combination with angle arrangement). The maximum possible gradient is approx. 2.4° (approx. 42 mm at a length of 1 m).



Dimensions

Standard ground fitting with 3 fixed cylinders and a fitting depth of 200 mm

All details in mm

Fixed bollards SF

Optional equipment



Steel surfaces

- Protection against corrosion
- Painted in RAL to choose



Stainless steel surfaces

- V2 A or V4 A
- K180 (polished)
- Painted in RAL to choose



LED lighting strips

- Better visibility at night
- All-round



Perimeter Protection Systems

Perimeter Protection Systems, the HÖRMANN logo and the HÖRMANN name are registered trademarks of HÖRMANN AG. All other trademarks are the property of their respective owners.



Perimeter protection systems

Perimeter Protection Systems, the HÖRMANN logo and the HÖRMANN name are registered trademarks of HÖRMANN AG. All other trademarks are the property of their respective owners.



Perimeter Protection Systems

Perimeter Protection Systems, the HÖRMANN logo and the HÖRMANN name are registered trademarks of HÖRMANN AG. All other trademarks are the property of their respective owners.



For more information and the complete product range, see the Perimeter protection systems brochure